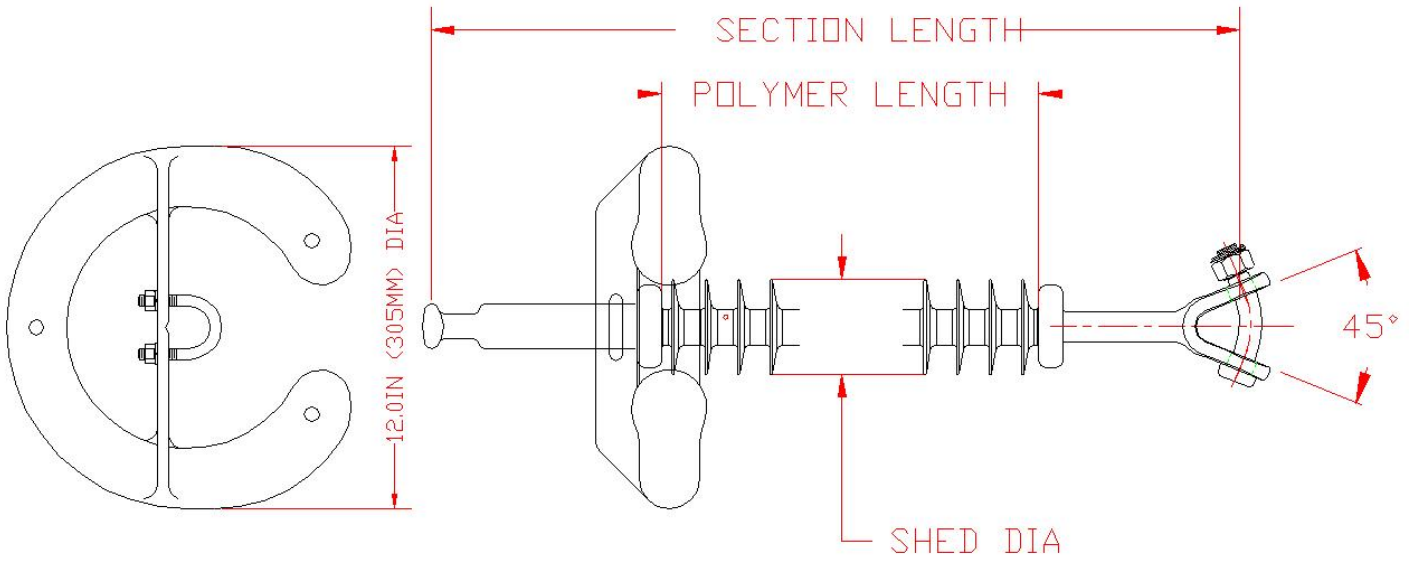


S025103S201B

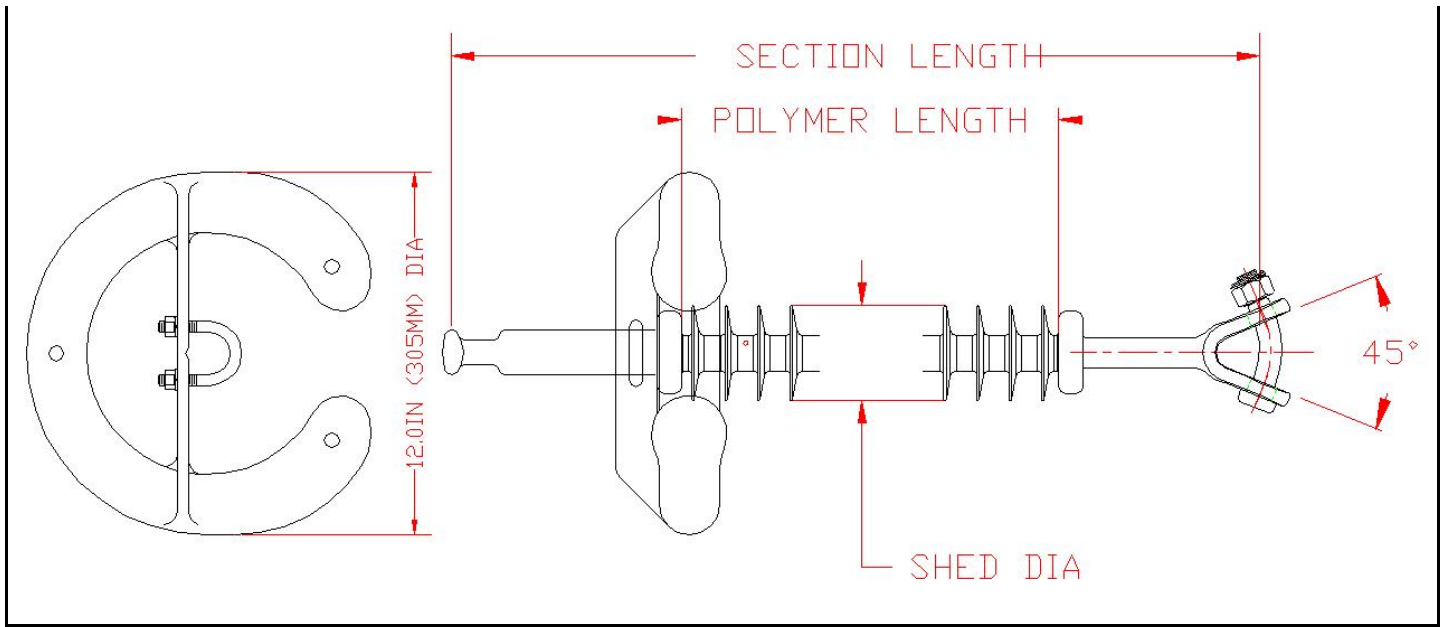


**Product Specifications**

Typical System Voltage	345kV
Strength Class	25 kip, 5/8" (16 mm)
Top/Ground End Fitting	Y-Clevis
Bottom/Line End Fitting	ANSI Ball
Section Length	115.38 IN (2931 MM)
Leakage Distance	264 IN (6706 mm)
Corona Ring	12" Line End
Polymer Length	103.58 IN (2631 MM)
System Voltage (kV)	345kV
Working Load	12,500 lbs
Dry Arc Distance	103.6 IN (2631 MM)
Number of Sheds	96
Shed Style	Uniform
Shed Diameter	2.9 IN
Rod Diameter	5/8 IN (16 MM)
Thickness of housing over Rod	> 3MM
End Fitting Class	ANSI
End Fitting Material	Ductile Iron
SML	25,000 lbs
RTL	12,500 lbs
ANSI 60Hz Dry FO	970 kV
Housing Material	SILICONE RUBBER
ANSI 60Hz Wet FO	870 kV
ANSI 60Hz Wet Withstand	645 kV
IEC lightning Impulse Withstand - Positive	1620 kV
ANSI Critical Impulse FO - Positive	1445 kV
IEC lightning Impulse Withstand - Negative	1650 kV
ANSI Critical Impulse FO - Negative	1475 kV

**Compressed Product Number**

S025103S201B



[Catalog Home](#)



[Warranty Info](#) | [Trademarks](#) | [Terms of Use](#)

All contents Copyright © 2007 Hubbell Power Systems, Inc. All rights reserved.

NOTE: Because Hubbell has a policy of continuous product improvement, we reserve the right to change design and specifications without notice.