

15/25kV

600A Deadbreak 2-Way Junction

K650J2



Features:

- 15/25kV, 600 Amp Deadbreak 2-Way Junction
- Fully shielded, fully submersible molded rubber housing
- 100% peroxide-cured construction includes insulation and conductive EPDM materials
- Provides mating for Elastimold® 600 A Series Elbow connectors
- Stainless Steel Mounting Bracket

K650J2 Deadbreak 2-Way Junction

Applications:

ELASTIMOLD® junctions are designed for subsurface, vault or padmount applications and can be used for sectionalizing, looping, tapping, and equipment bypass. Junctions are designed to mate with other ELASTIMOLD® products including:

- K655 Elbow Connector
- K655BE Bushing Extender
- 655BEA3 Bushing Adapter

ELASTIMOLD® junctions are equipped with a stainless steel mounting bracket and back plate suitable for mounting on a flat surface.

Ratings:

Meets ANSI/IEEE Standard 386, Latest Revision

For 15kV Voltage Class:

8.3kV Max Phase-to-Ground – Operating Voltage
 14.4kV Max Phase-to-Phase
 95kV BIL – Impulse Withstand (1.2 x 50 microsecond wave)
 34kV AC – One minute withstand
 53kV DC – 15 minutes withstand
 11kV AC – Corona Extinction @ 3pC sensitivity
 600 Amp – Continuous
 25kA Sym – 10 Cycles Momentary

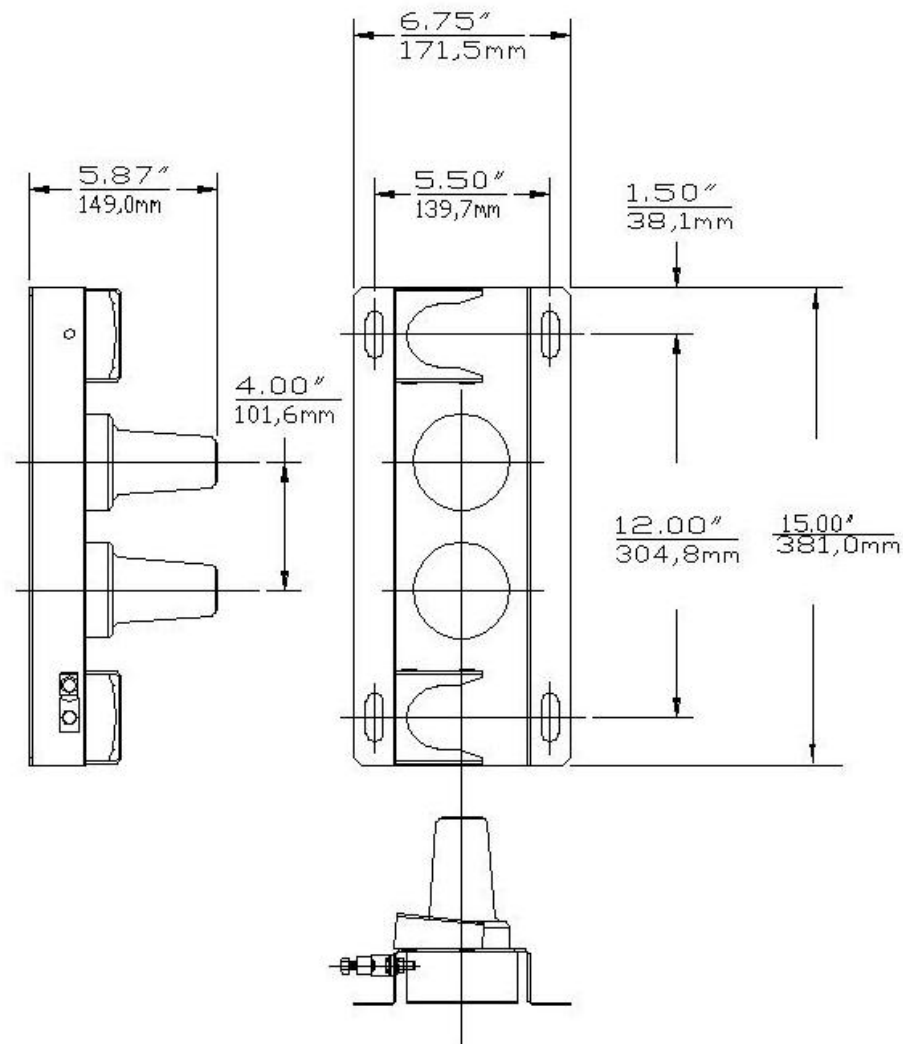
For 28kV Voltage Class:

16.2kV Max Phase-to-Ground – Operating Voltage
 28kV Max Phase-to-Phase
 140kV BIL – Impulse Withstand (1.2 x 50 microsecond wave)
 45kV AC – One minute withstand
 84kV DC – 15 minutes withstand
 21.5kV AC – Corona Extinction @ 3pC sensitivity
 600 Amp – Continuous
 25kA Sym – 10 Cycles Momentary

15/25kV

600A Deadbreak 2-Way Junction

K650J2



Ordering Instructions:

Each kit contains the following:

1	Basic molded junction	K650J2
1	Mounting Hardware	600J2-6
2	Tube, lubricant	82-08
1	Installation instruction	IS-0207
2	Protective Cap	650PPC-01

Specify **K650J2** for 15/25kV, 600 Amp, 2-way Deadbreak Junction.

Add "-5" at the end of the catalog number for Junctions with "U" style mounting straps only.

Add "-6" at the end of the catalog number for mounting bracket and back plate only.