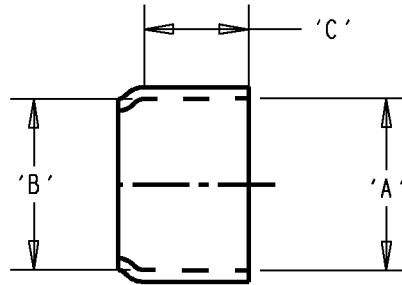
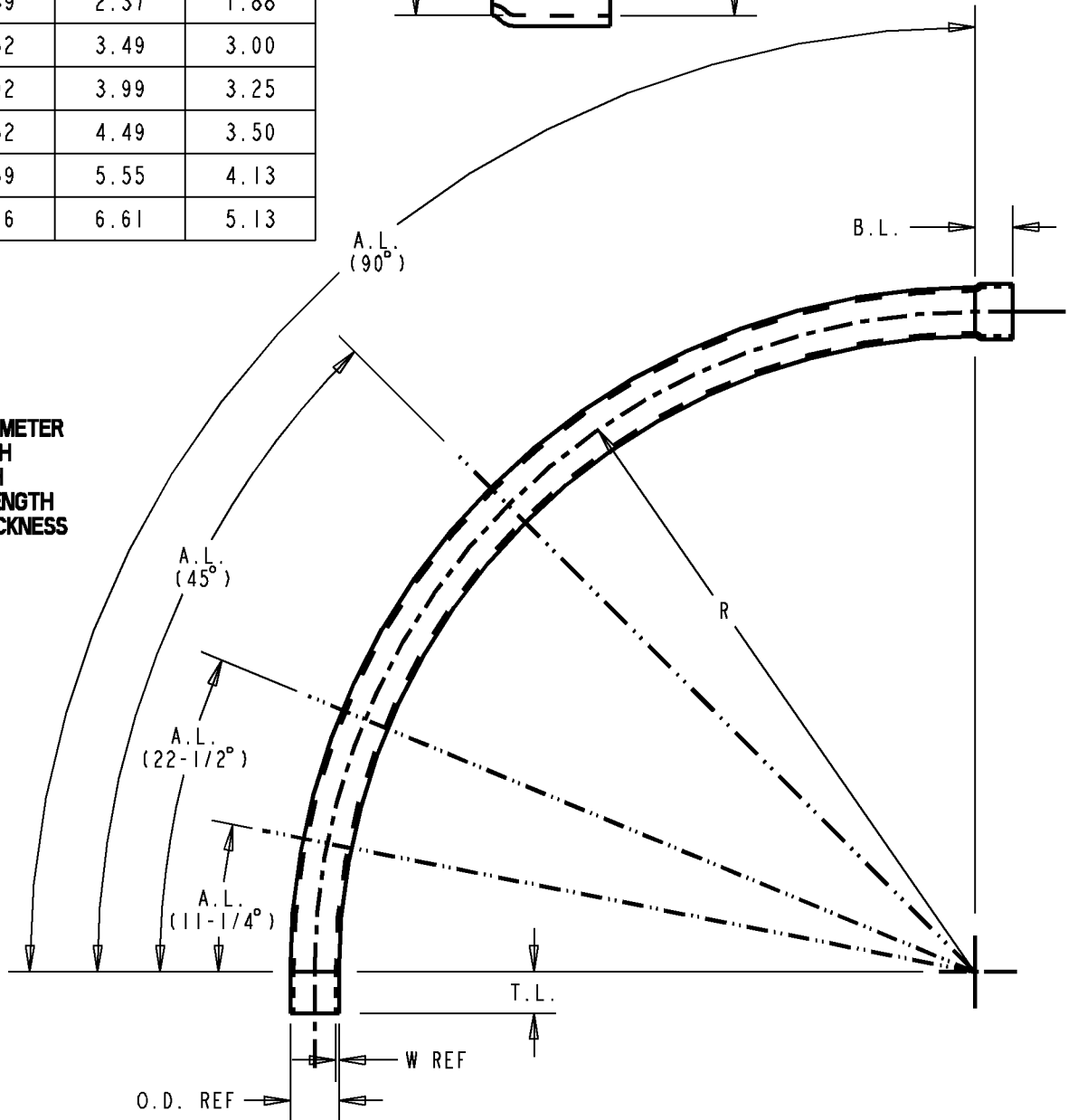


BELL END DIMENSIONS (REF)

ELBOW SIZE	DIM 'A'	DIM 'B'	DIM 'C'
1"	1.33	1.31	1.38
1-1/2"	1.92	1.89	1.50
2"	2.39	2.37	1.88
3"	3.52	3.49	3.00
3-1/2"	4.02	3.99	3.25
4"	4.52	4.49	3.50
5"	5.59	5.55	4.13
6"	6.66	6.61	5.13



- LEGEND**
- O.D. - OUTSIDE DIAMETER
 - BL - BELL LENGTH
 - A.L. - ARC LENGTH
 - T.L. - TANGENT LENGTH
 - W - WALL THICKNESS
 - R - RADIUS



GENERAL NOTES

1. ALL DIMENSIONS ARE FOR REFERENCE ONLY.
2. DIMENSIONS IN BRACKETS [] ARE IN METRIC UNITS.

REVISIONS

0 SEE ERN (****) FOR APPROVAL SIGNATURES & RELEASE DATE. PROJECT NO: *****

www.tnb.com

Thomas & Betts
A Member of the ABB Group

DESCRIPTION:

**P & C DUCT
SWEEPS**

ORIGINAL PROJECT NO / (ERN NO)

5AM0001 / (2017567)

SHEET NO:

1 OF 8

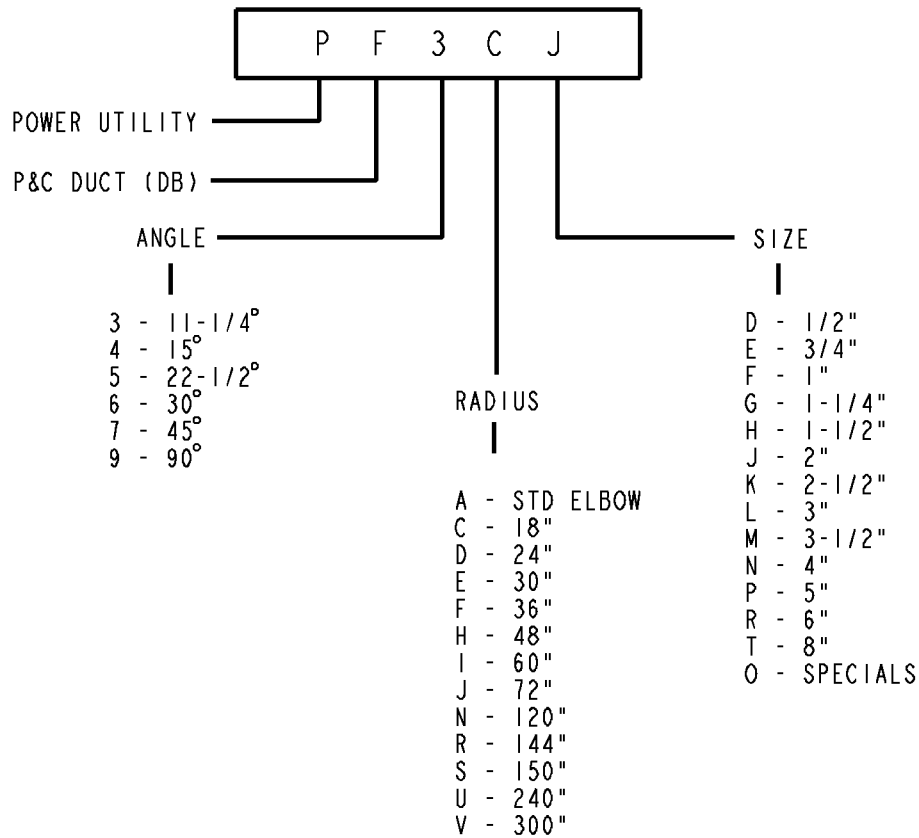
REV. NO:

0


DRAWING NO:

WSD-001726


PART NUMBER LEGEND



PART NO.	DESCRIPTION	O.D.	T.L.	B.L.	A.L.	W	R
PF3CJ	2" DB 11-1/4° X 18" RADIUS	2.38	2.00	1.88	3.53	.07	18.00
PF3CL	3" DB 11-1/4° X 18" RADIUS	3.50	3.12	3.00	3.53	.10	18.00
PF3CN	4" DB 11-1/4° X 18" RADIUS	4.50	3.38	3.25	3.53	.13	18.00
PF3DF	1" DB 11-1/4° X 24" RADIUS	1.32	1.88	1.75	4.71	.07	24.00
PF3DH	1-1/2" DB 11-1/4° X 24" RADIUS	1.90	2.00	1.88	4.71	.07	24.00
PF3DJ	2" DB 11-1/4° X 24" RADIUS	2.38	2.00	1.88	4.71	.07	24.00
PF3DL	3" DB 11-1/4° X 24" RADIUS	3.50	3.12	3.00	4.71	.10	24.00
PF3DN	4" DB 11-1/4° X 24" RADIUS	4.50	3.38	3.25	4.71	.13	24.00
PF3DP	5" DB 11-1/4° X 24" RADIUS	5.56	3.63	3.50	4.71	.16	24.00

GENERAL NOTES		 A Member of the ABB Group			
1. ALL DIMENSIONS ARE FOR REFERENCE ONLY. 2. DIMENSIONS IN BRACKETS [] ARE IN METRIC UNITS.					
REVISIONS		DESCRIPTION: P & C DUCT SWEEPS			
0 SEE ERN (****) FOR APPROVAL SIGNATURES & RELEASE DATE. PROJECT NO: *****		ORIGINAL PROJECT NO / (ERN NO) 5AM00001 / (2017567)	SHEET NO: 2 OF 8	REV. NO: 0	DRAWING NO: WSD-001726

PART NO.	DESCRIPTION	O.D.	T.L.	B.L.	A.L.	W	R
PF3FJ	2" DB 11-1/4° X 36" RADIUS	2.38	2.00	1.88	7.07	.07	36.00
PF3FL	3" DB 11-1/4° X 36" RADIUS	3.50	3.12	3.00	7.07	.10	36.00
PF3FN	4" DB 11-1/4° X 36" RADIUS	4.50	3.38	3.25	7.07	.13	36.00
PF3FP	5" DB 11-1/4° X 36" RADIUS	5.56	3.63	3.50	7.07	.16	36.00
PF3FR	6" DB 11-1/4° X 36" RADIUS	6.63	3.75	3.63	7.07	.19	36.00
PF3HL	3" DB 11-1/4° X 48" RADIUS	3.50	3.12	3.00	9.43	.10	48.00
PF3HR	6" DB 11-1/4° X 48" RADIUS	6.63	3.75	3.63	9.43	.19	48.00
PF3IJ	2" DB 11-1/4° X 60" RADIUS	2.38	2.00	1.88	11.78	.07	60.00
PF3IP	5" DB 11-1/4° X 60" RADIUS	5.56	3.63	3.50	11.78	.16	60.00
PF3IR	6" DB 11-1/4° X 60" RADIUS	6.63	3.75	3.63	11.78	.19	60.00
PF3RN	4" DB 11-1/4° X 144" RADIUS	4.50	3.38	3.25	28.26	.13	144.00
PF3RP	5" DB 11-1/4° X 144" RADIUS	5.56	3.63	3.50	28.26	.16	144.00
PF3RR	6" DB 11-1/4° X 144" RADIUS	6.63	3.75	3.63	28.26	.19	144.00
PF3SJ	2" DB 11-1/4° X 150" RADIUS	2.38	2.00	1.88	29.45	.07	150.00
PF3SL	3" DB 11-1/4° X 150" RADIUS	3.50	3.12	3.00	29.45	.10	150.00
PF3SN	4" DB 11-1/4° X 150" RADIUS	4.50	3.38	3.25	29.45	.13	150.00
PF3SP	5" DB 11-1/4° X 150" RADIUS	5.56	3.63	3.50	29.45	.16	150.00
PF3SR	6" DB 11-1/4° X 150" RADIUS	6.63	3.75	3.63	29.45	.19	150.00
PF3VJ	2" DB 11-1/4° X 300" RADIUS	2.38	2.00	1.88	58.91	.07	300.00
PF3VL	3" DB 11-1/4° X 300" RADIUS	3.50	3.12	3.00	58.91	.10	300.00
PF3VN	4" DB 11-1/4° X 300" RADIUS	4.50	3.38	3.25	58.91	.13	300.00
PF3VP	5" DB 11-1/4° X 300" RADIUS	5.56	3.63	3.50	58.91	.16	300.00
PF3VR	6" DB 11-1/4° X 300" RADIUS	6.63	3.75	3.63	58.91	.19	300.00
PF5CJ	2" DB 22-1/2° X 18" RADIUS	2.38	2.00	1.88	7.07	.07	18.00
PF5CL	3" DB 22-1/2° X 18" RADIUS	3.50	3.12	3.00	7.07	.10	18.00
PF5CN	4" DB 22-1/2° X 18" RADIUS	4.50	3.38	3.25	7.07	.13	18.00
PF5DJ	2" DB 22-1/2° X 24" RADIUS	2.38	2.00	1.88	9.43	.07	24.00
PF5DL	3" DB 22-1/2° X 24" RADIUS	3.50	3.12	3.00	9.43	.10	24.00
PF5DN	4" DB 22-1/2° X 24" RADIUS	4.50	3.38	3.25	9.43	.13	24.00

GENERAL NOTES		 A Member of the ABB Group			
1. ALL DIMENSIONS ARE FOR REFERENCE ONLY. 2. DIMENSIONS IN BRACKETS [] ARE IN METRIC UNITS.					
REVISIONS		DESCRIPTION: P & C DUCT SWEEPS			
0	SEE ERN (****) FOR APPROVAL SIGNATURES & RELEASE DATE. PROJECT NO: ****	ORIGINAL PROJECT NO / (ERN NO) 5AM00001 / (2017567)	SHEET NO: 3 OF 8	REV. NO: 0	DRAWING NO: WSD-001726

THIS DRAWING IS INTENDED FOR DESCRIPTIVE PURPOSES ONLY, AND THE RIGHT IS RESERVED TO DEVIATE FROM ANY OF THE DETAILS SHOWN HEREON. COPYRIGHT THOMAS & BETTS CORPORATION. ALL RIGHTS RESERVED. PROPRIETARY AND CONFIDENTIAL.

PART NO.	DESCRIPTION	O.D.	T.L.	B.L.	A.L.	W	R
PF5DP	5" DB 22-1/2° X 24" RADIUS	5.56	3.63	3.50	9.43	.16	24.00
PF5FF	1" DB 22-1/2° X 36" RADIUS	1.32	1.88	1.75	14.14	.07	36.00
PF5FJ	2" DB 22-1/2° X 36" RADIUS	2.38	2.00	1.88	14.14	.07	36.00
PF5FL	3" DB 22-1/2° X 36" RADIUS	3.50	3.12	3.00	14.14	.10	36.00
PF5FN	4" DB 22-1/2° X 36" RADIUS	4.50	3.38	3.25	14.14	.13	36.00
PF5FP	5" DB 22-1/2° X 36" RADIUS	5.56	3.63	3.50	14.14	.16	36.00
PF5HR	6" DB 22-1/2° X 36" RADIUS	6.63	3.75	3.63	14.137	.19	36.00
PF5HJ	2" DB 22-1/2° X 48" RADIUS	2.38	2.00	1.88	18.85	.07	48.00
PF5HL	3" DB 22-1/2° X 48" RADIUS	3.50	3.12	3.00	18.85	.10	48.00
PF5HR	6" DB 22-1/2° X 48" RADIUS	6.63	3.75	3.63	18.85	.19	48.00
PF5IJ	2" DB 22-1/2° X 60" RADIUS	2.38	2.00	1.88	23.56	.07	60.00
PF5IL	3" DB 22-1/2° X 60" RADIUS	3.50	3.12	3.00	23.56	.10	60.00
PF5IN	4" DB 22-1/2° X 60" RADIUS	4.50	3.38	3.25	23.56	.128	60.00
PF5IP	5" DB 22-1/2° X 60" RADIUS	5.56	3.63	3.50	23.56	.158	60.00
PF5IR	6" DB 22-1/2° X 60" RADIUS	6.63	3.75	3.63	23.56	.188	60.00
PF5RN	4" DB 22-1/2° X 144" RADIUS	4.50	3.38	3.25	56.52	.128	144.00
PF5RP	5" DB 22-1/2° X 144" RADIUS	5.563	3.63	3.50	56.52	.158	144.00
PF5SJ	2" DB 22-1/2° X 150" RADIUS	2.38	2.00	1.88	58.91	.067	150.00
PF5SL	3" DB 22-1/2° X 150" RADIUS	3.50	3.12	3.00	58.91	.099	150.00
PF5SN	4" DB 22-1/2° X 150" RADIUS	4.50	3.38	3.25	58.91	.128	150.00
PF5SP	5" DB 22-1/2° X 150" RADIUS	5.56	3.63	3.50	58.91	.158	150.00
PF5SR	6" DB 22-1/2° X 150" RADIUS	6.63	3.75	3.63	58.91	.188	150.00
PF5VJ	2" DB 22-1/2° X 300" RADIUS	2.38	2.00	1.88	117.81	.067	300.00
PF5VL	3" DB 22-1/2° X 300" RADIUS	3.50	3.12	3.00	117.81	.099	300.00
PF5VN	4" DB 22-1/2° X 300" RADIUS	4.50	3.38	3.25	117.81	.128	300.00
PF5VP	5" DB 22-1/2° X 300" RADIUS	5.56	3.63	3.50	117.81	.158	300.00
PF5VR	6" DB 22-1/2° X 300" RADIUS	6.63	3.75	3.63	117.81	.188	300.00

www.tnb.com		Thomas & Betts A Member of the ABB Group	
DESCRIPTION:		P & C DUCT SWEEPS	
SHEET NO: 4 OF 8	REV. NO: 0	DRAWING NO: WSD-001726	

PART NO.	DESCRIPTION	O.D.	T.L.	B.L.	A.L.	W	R
PF6CH	1-1/2" DB 30° X 18" RADIUS	1.90	2.00	1.88	9.43	.07	18.00
PF6CJ	2" DB 30° X 18" RADIUS	2.38	2.00	1.88	9.43	.07	18.00
PF6CL	3" DB 30° X 18" RADIUS	3.50	3.12	3.00	9.43	.10	18.00
PF6CN	4" DB 30° X 18" RADIUS	4.50	3.38	3.25	9.43	.13	18.00
PF6DJ	2" DB 30° X 24" RADIUS	2.38	2.00	1.88	12.57	.07	24.00
PF6DL	3" DB 30° X 24" RADIUS	3.50	3.12	3.00	12.57	.10	24.00
PF6DN	4" DB 30° X 24" RADIUS	4.50	3.38	3.25	12.57	.13	24.00
PF6DP	5" DB 30° X 24" RADIUS	5.56	3.63	3.50	12.57	.16	24.00
PF6FJ	2" DB 30° X 36" RADIUS	2.38	2.00	1.88	18.85	.07	36.00
PF6FL	3" DB 30° X 36" RADIUS	3.50	3.12	3.00	18.85	.10	36.00
PF6FN	4" DB 30° X 36" RADIUS	4.50	3.38	3.25	18.85	.13	36.00
PF6FP	5" DB 30° X 36" RADIUS	5.56	3.63	3.50	18.85	.16	36.00
PF6FR	6" DB 30° X 36" RADIUS	6.63	3.75	3.63	18.85	.19	36.00
PF6HJ	2" DB 30° X 48" RADIUS	2.38	2.00	1.88	25.13	.07	48.00
PF6HN	4" DB 30° X 48" RADIUS	4.50	3.38	3.25	25.13	.13	48.00
PF6HP	5" DB 30° X 48" RADIUS	5.56	3.63	3.50	25.13	.16	48.00
PF6HR	6" DB 30° X 48" RADIUS	6.63	3.75	3.63	25.13	.19	48.00
PF6IN	4" DB 30° X 60" RADIUS	4.50	3.38	3.25	31.42	.13	60.00
PF6IP	5" DB 30° X 60" RADIUS	5.56	3.63	3.50	31.42	.16	60.00
PF6SJ	2" DB 30° X 150" RADIUS	2.38	2.00	1.88	78.54	.07	150.00
PF6SN	4" DB 30° X 150" RADIUS	4.50	3.38	3.25	78.54	.13	150.00
PF6SP	5" DB 30° X 150" RADIUS	5.56	3.63	3.50	78.54	.16	150.00
PF6SR	6" DB 30° X 150" RADIUS	6.63	3.75	3.63	78.54	.19	150.00
PF6VJ	2" DB 30° X 300" RADIUS	2.38	2.00	1.88	157.08	.07	300.00
PF6VN	4" DB 30° X 300" RADIUS	4.50	3.38	3.25	157.08	.13	300.00
PF6VP	5" DB 30° X 300" RADIUS	5.56	3.63	3.50	157.08	.16	300.00
PF6VR	6" DB 30° X 300" RADIUS	6.63	3.75	3.63	157.08	.19	300.00
PF7CF	1" DB 45° X 18" RADIUS	1.32	1.88	1.75	14.14	.07	18.00
PF7CH	1-1/2" DB 45° X 18" RADIUS	1.90	2.00	1.88	14.14	.07	18.00
PF7CJ	2" DB 45° X 18" RADIUS	2.38	2.00	1.88	14.14	.07	18.00
PF7CL	3" DB 45° X 18" RADIUS	3.50	3.12	3.00	14.14	.10	18.00

www.tnb.com		Thomas & Betts A Member of the ABB Group	
DESCRIPTION:		P & C DUCT SWEEPS	
SHEET NO: 5 OF 8	REV. NO: 0	DRAWING NO: WSD-001726	

PART NO.	DESCRIPTION	O.D.	T.L.	B.L.	A.L.	W	R
PF7CN	4" DB 45° X 18" RADIUS	4.50	3.38	3.25	14.14	.13	18.00
PF7DF	1" DB 45° X 24" RADIUS	1.33	1.88	1.75	18.85	.07	24.00
PF7DH	1-1/2" DB 45° X 24" RADIUS	1.90	2.00	1.88	18.85	.07	24.00
PF7DJ	2" DB 45° X 24" RADIUS	2.38	2.00	1.88	18.85	.07	24.00
PF7DL	3" DB 45° X 24" RADIUS	3.50	3.12	3.00	18.85	.10	24.00
PF7DN	4" DB 45° X 24" RADIUS	4.50	3.38	3.25	18.85	.13	24.00
PF7DP	5" DB 45° X 24" RADIUS	5.56	3.63	3.50	18.85	.16	24.00
PF7FF	1" DB 45° X 36" RADIUS	1.32	1.88	1.75	28.27	.07	36.00
PF7FH	1-1/2" DB 45° X 36" RADIUS	1.90	2.00	1.88	28.27	.07	36.00
PF7FJ	2" DB 45° X 36" RADIUS	2.38	2.00	1.88	28.27	.07	36.00
PF7FL	3" DB 45° X 36" RADIUS	3.50	3.12	3.00	28.27	.10	36.00
PF7FN	4" DB 45° X 36" RADIUS	4.50	3.38	3.25	28.27	.13	36.00
PF7FP	5" DB 45° X 36" RADIUS	5.56	3.63	3.50	28.27	.16	36.00
PF7FR	6" DB 45° X 36" RADIUS	6.63	3.75	3.63	28.27	.19	36.00
PF7HJ	2" DB 45° X 48" RADIUS	2.38	2.00	1.88	37.70	.07	48.00
PF7HL	3" DB 45° X 48" RADIUS	3.50	3.12	3.00	37.70	.10	48.00
PF7HN	4" DB 45° X 48" RADIUS	4.50	3.38	3.25	37.70	.13	48.00
PF7HP	5" DB 45° X 48" RADIUS	5.56	3.63	3.50	37.70	.16	48.00
PF7HR	6" DB 45° X 48" RADIUS	6.63	3.75	3.63	37.70	.19	48.00
PF7IJ	2" DB 45° X 60" RADIUS	2.38	2.00	1.88	47.12	.07	60.00
PF7IL	3" DB 45° X 60" RADIUS	3.50	3.12	3.00	47.12	.10	60.00
PF7IN	4" DB 45° X 60" RADIUS	4.50	3.38	3.25	47.12	.13	60.00
PF7IP	5" DB 45° X 60" RADIUS	5.56	3.63	3.50	47.12	.16	60.00
PF7IR	6" DB 45° X 60" RADIUS	6.63	3.75	3.63	47.12	.19	60.00
PF7NN	4" DB 45° X 120" RADIUS	4.50	3.38	3.25	92.25	.13	120.00
PF7SH	1-1/2" DB 45° X 150" RADIUS	1.90	2.00	1.88	117.81	.07	150.00
PF7SJ	2" DB 45° X 150" RADIUS	2.38	2.00	1.88	117.81	.07	150.00
PF7SL	3" DB 45° X 150" RADIUS	3.50	3.12	3.00	117.81	.10	150.00
PF7SN	4" DB 45° X 150" RADIUS	4.50	3.38	3.25	117.81	.13	150.00
PF7SP	5" DB 45° X 150" RADIUS	5.56	3.63	3.50	117.81	.16	150.00
PF7SR	6" DB 45° X 150" RADIUS	6.63	3.75	3.63	117.81	.19	150.00

www.tnb.com		Thomas & Betts A Member of the ABB Group	
DESCRIPTION:		P & C DUCT SWEEPS	
SHEET NO: 6 OF 8	REV. NO: 0	DRAWING NO: WSD-001726	

PART NO.	DESCRIPTION	O.D.	T.L.	B.L.	A.L.	W	R
PF7VJ	2" DB 45° X 300" RADIUS (2 PC)	2.38	2.00	1.88	235.62	.07	300.00
PF7VN	4" DB 45° X 300" RADIUS (2 PC)	4.50	3.38	3.25	235.62	.13	300.00
PF7VP	5" DB 45° X 300" RADIUS (2 PC)	5.56	3.63	3.50	235.62	.16	300.00
PF7VR	6" DB 45° X 300" RADIUS (2 PC)	6.63	3.75	3.63	235.62	.19	300.00
PF9CF	1" DB 90° X 18" RADIUS	1.32	1.88	1.75	28.27	.07	18.00
PF9CH	1-1/2" DB 90° X 18" RADIUS	1.90	2.00	1.88	28.27	.07	18.00
PF9CJ	2" DB 90° X 18" RADIUS	2.38	2.00	1.88	28.27	.07	18.00
PF9CL	3" DB 90° X 18" RADIUS	3.50	3.12	3.00	28.27	.10	18.00
PF9CN	4" DB 90° X 18" RADIUS	4.50	3.38	3.25	28.27	.13	18.00
PF9DF	1" DB 90° X 24" RADIUS	1.32	1.88	1.75	37.70	.07	24.00
PF9DH	1-1/2" DB 90° X 24" RADIUS	1.90	2.00	1.88	37.70	.07	24.00
PF9DJ	2" DB 90° X 24" RADIUS	2.38	2.00	1.88	37.70	.07	24.00
PF9DL	3" DB 90° X 24" RADIUS	3.50	3.12	3.00	37.70	.10	24.00
PF9DN	4" DB 90° X 24" RADIUS	4.50	3.38	3.25	37.70	.13	24.00
PF9DP	5" DB 90° X 24" RADIUS	5.56	3.63	3.50	37.70	.16	24.00
PF9FF	1" DB 90° X 36" RADIUS	1.32	1.88	1.75	56.55	.07	36.00
PF9FH	1-1/2" DB 90° X 36" RADIUS	1.90	2.00	1.88	56.55	.07	36.00
PF9FJ	2" DB 90° X 36" RADIUS	2.38	2.00	1.88	56.55	.07	36.00
PF9FL	3" DB 90° X 36" RADIUS	3.50	3.12	3.00	56.55	.10	36.00
PF9FN	4" DB 90° X 36" RADIUS	4.50	3.38	3.25	56.55	.13	36.00
PF9FP	5" DB 90° X 36" RADIUS	5.56	3.63	3.50	56.55	.16	36.00
PF9FR	6" DB 90° X 36" RADIUS	6.63	3.75	3.63	56.55	.19	36.00
PF9HJ	2" DB 90° X 48" RADIUS	2.38	2.00	1.88	75.40	.07	48.00
PF9HL	3" DB 90° X 48" RADIUS	3.50	3.12	3.00	75.40	.10	48.00
PF9HN	4" DB 90° X 48" RADIUS	4.50	3.38	3.25	75.40	.13	48.00
PF9HP	5" DB 90° X 48" RADIUS	5.56	3.63	3.50	75.40	.16	48.00
PF9HR	6" DB 90° X 48" RADIUS	6.63	3.75	3.63	75.40	.19	48.00
PF9IJ	2" DB 90° X 60" RADIUS	2.38	2.00	1.88	94.25	.07	60.00
PF9IL	3" DB 90° X 60" RADIUS	3.50	3.12	3.00	94.25	.10	60.00
PF9IN	4" DB 90° X 60" RADIUS	4.50	3.38	3.25	94.25	.13	60.00
PF9IP	5" DB 90° X 60" RADIUS	5.56	3.63	3.50	94.25	.16	60.00

www.tnb.com		Thomas & Betts A Member of the ABB Group	
DESCRIPTION: P & C DUCT SWEEPS			
SHEET NO: 7 OF 8		REV. NO: 0	DRAWING NO: WSD-001726

PART NO.	DESCRIPTION	O.D.	T.L.	B.L.	A.L.	W	R
PF9IR	6" DB 90° X 60" RADIUS	6.63	3.75	3.63	94.25	.19	60.00
PF9JJ	2" DB 90° X 72" RADIUS (2 PC)	2.38	2.00	1.88	113.10	.067	72.00
PF9JN	4" DB 90° X 72" RADIUS (2 PC)	4.50	3.38	3.25	113.10	.13	72.00
PF9SH	1-1/2" DB 90° X 150" RADIUS (4 PC)	1.90	2.00	1.88	235.62	.07	150.00
PF9SJ	2" DB 90° X 150" RADIUS (4 PC)	2.38	2.00	1.88	235.62	.07	150.00
PF9SL	3" DB 90° X 150" RADIUS (2 PC)	3.50	3.12	3.00	235.62	.10	150.00
PF9SN	4" DB 90° X 150" RADIUS (2 PC)	4.50	3.38	3.25	235.62	.13	150.00
PF9SP	5" DB 90° X 150" RADIUS (2 PC)	5.56	3.63	3.50	235.62	.16	150.00
PF9SR	6" DB 90° X 150" RADIUS (2 PC)	6.63	3.75	3.63	235.62	.19	150.00
PF9VJ	2" DB 90° X 300" RADIUS (4 PC)	2.38	2.00	1.88	471.24	.07	300.00
PF9VL	3" DB 90° X 300" RADIUS (4 PC)	3.50	3.12	3.00	471.24	.10	300.00
PF9VN	4" DB 90° X 300" RADIUS (4 PC)	4.50	3.38	3.25	471.24	.13	300.00
PF9VP	5" DB 90° X 300" RADIUS (4 PC)	5.56	3.63	3.50	471.24	.16	300.00
PF9VR	6" DB 90° X 300" RADIUS (4 PC)	6.63	3.75	3.63	471.24	.19	300.00

Thomas&Betts		
<small>A Member of the ABB Group</small>		
<small>www.tnb.com</small>		
DESCRIPTION: P & C DUCT SWEEPS		
	SHEET NO: 8 OF 8	REV. NO: 0
		DRAWING NO: WSD-001726