

LISTEN.
THINK.
SOLVE.SM



BULLETIN 800L

COST EFFECTIVE INDICATOR SOLUTIONS

800L INDICATOR

Introducing the new Allen-Bradley Bulletin 800L indicator lights! This new line of 12 mm, 18 mm, 22 mm, and 30 mm indicators is ideal for commercial-grade and light-industrial applications. Available with LED, strobe, or incandescent illumination, the 800L line is more cost effective than traditional industrial-grade pilot lights – perfect for high volume OEM's, panel builders, and contractors.



12 mm LED with Fast-On Connector



12 mm LED



18 mm LED & Incandescent



22.5 mm LED & Incandescent Strobe



30.5 mm LED & Incandescent Strobe

	12 mm LED	18/22.5/30.5 mm LED & Incandescent	22.5/30.5 mm Strobes
Description	Compact size ideal for space restrictive applications. Brilliant LED illumination and 100,000 hour life make these a superior alternative to traditional neon indicators.	Traditional NEMA-style mounting, appearance, and screw terminations, but with shallower back-of-panel depth and IP2X finger safety.	Xenon strobe illumination provides convenient panel-mount signaling option. Superior to a flashing LED or incandescent lamp to notify of critical condition.
Colors	Red • Green • Amber • Blue • Clear	Red • Green • Amber • Blue • Clear	Red • Green • Amber • Blue • Clear
Voltages	24V DC 120V AC Full Voltage	24V AC/DC 120V AC Full Voltage 240V AC Full Voltage (LED)	24V DC 120/240V AC Full Voltage
Lamp Options & Life	LED: 100,000 Hours	LED: 100,000 Hours Incandescent: 5,000 Hours	Xenon: 1M Flashes, 0.6J 1-2 Hz Flash Rate, Fixed
Mounting Method	Push-in-Panel	Front of Panel Mounting Ring	
Terminations	6" Leads, Stranded 18AWG, or 0.187" Fast-On Connector	IP2X Finger-safe Screw Clamp Terminals	
Degree of Protection	NEMA Type 1	NEMA Type 4/4X/13, IP66	
Materials	Housing: Nylon Lens: Polycarbonate	Housing: Polyester; Lens: Nylon Metal Mounting ring optional	
Replacement Parts	None - Disposable	Lens Caps Incandescent Lamps	
Operating Temperature	-40°... +131°F (-40°...+55°C)		
Certifications	cULus Listed	cULus/CE Listed, Class 1 Div 2 Groups A, B, C, D, Class 2 Div 2 F,G	

PRODUCT

SELECTION



Allen-Bradley

12 mm

Color	6" Pigtail Leads		Terminals	
	24V DC	120V AC	24V AC	120V AC
Amber	800L-12L24A	800L-12L10A	800L-12L24AS	800L-12L10AS
Blue	800L-12L24B	800L-12L10B	800L-12L24BS	800L-12L10BS
Clear	800L-12L24C	800L-12L10C	800L-12L24CS	800L-12L10CS
Green	800L-12L24G	800L-12L10G	800L-12L24GS	800L-12L10GS
Red	800L-12L24R	800L-12L10R	800L-12L24RS	800L-12L10RS

18 mm

Color	LED ¹			Incandescent	
	24V AC/DC	120V AC	240V AC	24V AC/DC	120V AC
Amber	800L-18L24A	800L-18L10A	800L-18L20A	800L-18C24A	800L-18C10A
Blue	800L-18L24B	800L-18L10B	800L-18L20B	800L-18C24B	800L-18C10B
Clear	800L-18L24C	800L-18L10C	800L-18L20C	800L-18C24C	800L-18C10C
Green	800L-18L24G	800L-18L10G	800L-18L20G	800L-18C24G	800L-18C10G
Red	800L-18L24R	800L-18L10R	800L-18L20R	800L-18C24R	800L-18C10R

22.5 mm

Color	LED ¹			Incandescent		Strobe	
	24V AC/DC	120V AC	240V AC	24V AC/DC	120V AC	24V AC/DC	120/240V AC
Amber	800L-22L24A	800L-22L10A	800L-22L20A	800L-22C24A	800L-22C10A	800L-22S24A	800L-22S10A
Blue	800L-22L24B	800L-22L10B	800L-22L20B	800L-22C24B	800L-22C10B	800L-22S24B	800L-22S10B
Clear	800L-22L24C	800L-22L10C	800L-22L20C	800L-22C24C	800L-22C10C	800L-22S24C	800L-22S10C
Green	800L-22L24G	800L-22L10G	800L-22L20G	800L-22C24G	800L-22C10G	800L-22S24G	800L-22S10G
Red	800L-22L24R	800L-22L10R	800L-22L20R	800L-22C24R	800L-22C10R	800L-22S24R	800L-22S10R

30.5 mm

Color	LED ¹			Incandescent		Strobe	
	24V AC/DC	120V AC	240V AC	24V AC/DC	120V AC	24V AC/DC	120/240V AC
Amber	800L-30L24A	800L-30L10A	800L-30L20A	800L-30C24A	800L-30C10A	800L-30S24A	800L-30S10A
Blue	800L-30L24B	800L-30L10B	800L-30L20B	800L-30C24B	800L-30C10B	800L-30S24B	800L-30S10B
Clear	800L-30L24C	800L-30L10C	800L-30L20C	800L-30C24C	800L-30C10C	800L-30S24C	800L-30S10C
Green	800L-30L24G	800L-30L10G	800L-30L20G	800L-30C24G	800L-30C10G	800L-30S24G	800L-30S10G
Red	800L-30L24R	800L-30L10R	800L-30L20R	800L-30C24R	800L-30C10R	800L-30S24R	800L-30S10R

¹ LED color matches lens color specified. White LED supplied for Clear selection.

PRODUCT

SELECTION

Replacement Lamps ② ③

Lamp Type	Voltage	ANSI #	Cat. No.
Incandescent	24V AC/DC	757	800T-N157
	130V AC/DC	949	800T-N169

② For 18mm devices with incandescent lamps, it is recommended that the lens cap is changed with lamp replacement.

③ LED lamps are integrated to indicators and are not field replaceable. Entire indicator must be replaced upon lamp failure.

Replacement Lens Caps ④

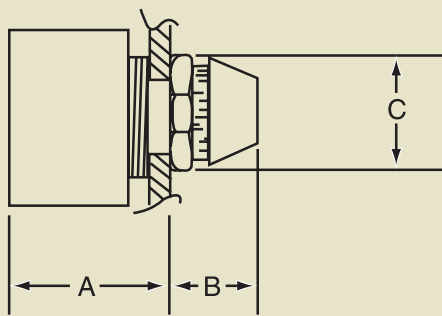
Color	18 mm	22 mm	30 mm
Red	800L-N18R	800L-N22R	800T-N26R
Green	800L-N18G	800L-N22G	800T-N26G
Amber	800L-N18A	800L-N22A	800T-N26A
Blue	800L-N18B	800L-N22B	800T-N26B
Clear	800L-N18C	800L-N22C	800T-N26C

④ 12 mm lens caps are integral to indicators and are not field replaceable.

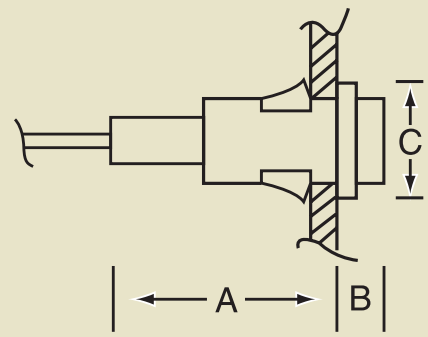
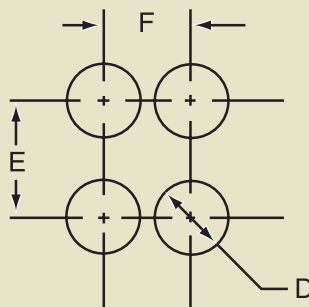
Dimensions (mm)

Indicator Size	'A'	'B'	'C'	'D'	'E'	'F'
12 mm	1-3/32 (27.8)	5/16 (7.9)	5/8 (15.8)	1/2 (12.7)	3/4 (19.0)	11/16 (17.5)
18 mm	1-21/64 (33.7)	57/64 (22.6)	1-1/32 (26.2)	3/4 (18.6)	2-9/32 (58.0)	1-1/8 (28.6)
22.5 mm	1-21/64 (33.7) ⑤	57/64 (22.6)	1-7/32 (31.0)	15/16 (22.6)	2-9/32 (58.0)	1-8/32 (32.5)
30.5 mm	1-9/16 (39.7) ⑤	1-9/64 (29.0)	1-19/32 (40.5)	1-13/64 (30.6)	2-9/32 (58.0)	1-29/32 (48.5)

⑤ For devices with strobe illumination, dimension "A" is 2-7/8 (73) for 22 mm and 3-1/8 (79) for 30 mm.



18/22.5/30.5



12 mm

www.rockwellautomation.com

Power, Control and Information Solutions Headquarters

Americas: Rockwell Automation, 1201 South Second Street, Milwaukee, WI 53204-2496 USA, Tel: (1) 414.382.2000, Fax: (1) 414.382.4444

Europe/Middle East/Africa: Rockwell Automation, Vorstlaan/Boulevard du Souverain 36, 1170 Brussels, Belgium, Tel: (32) 2 663 0600, Fax: (32) 2 663 0640

Asia Pacific: Rockwell Automation, Level 14, Core F, Cyberport 3, 100 Cyberport Road, Hong Kong, Tel: (852) 2887 4788, Fax: (852) 2508 1846