



Ty-Rap®

Mechanical-Locking Routing Clips

T&B Catalog Number:

TC88

UPC Number:

78621082615

Status:

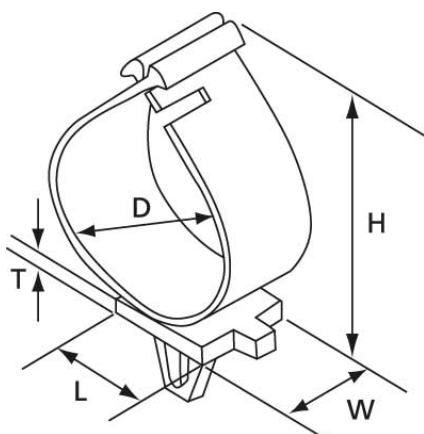
Active

Description:

Cable Tie Mechanical-Locking Routing Clips Harnessing Accessories Natural Nylon 6.6 Push Mount Mounting- .250 Stud Maximum Wire Bundle Diameter 1/2"

Features

Clamp acts as a retainer during wire routing, and as a permanent clamp when desired.



General

Material	Nylon 6.6
Color	Natural
Mounting Method	Push Mount
Stud Size	.250

Dimension Information

Length (inches)	.891
Width (inches)	.250

Specifications

Temperature Rating	-40°F to 185°F
Flammability Rating	UL 94 V-2

Packaging

T&B Order Multiple	100
T&B Inner Pack	100
Package in Units	1000
Package Type	Bulk
T&B Sold in UOM	Each
T&B Weight Per UOM	0.34 lbs. per 100

Application Support

Material Selection Guide	Available on Website
--------------------------	----------------------

Certifications

RoHS Compliance	Yes
-----------------	-----

For further technical assistance, please contact us...

Thomas & Betts - USA
8155 T&B Blvd.
Memphis, TN 38125
www.tnb.com

T&B Technical Support
MS 3B-50
8155 T&B Blvd.
Memphis, TN 38125

Hours: 7AM - 6PM CDT
Monday-Friday
Phone: (888) 862-3289
Fax: (901) 252-1321
Email: techsupport@tnb.com