



Trunnion Clamps

Aluminum Trunnion Clamps

Material

Body and Keeper:

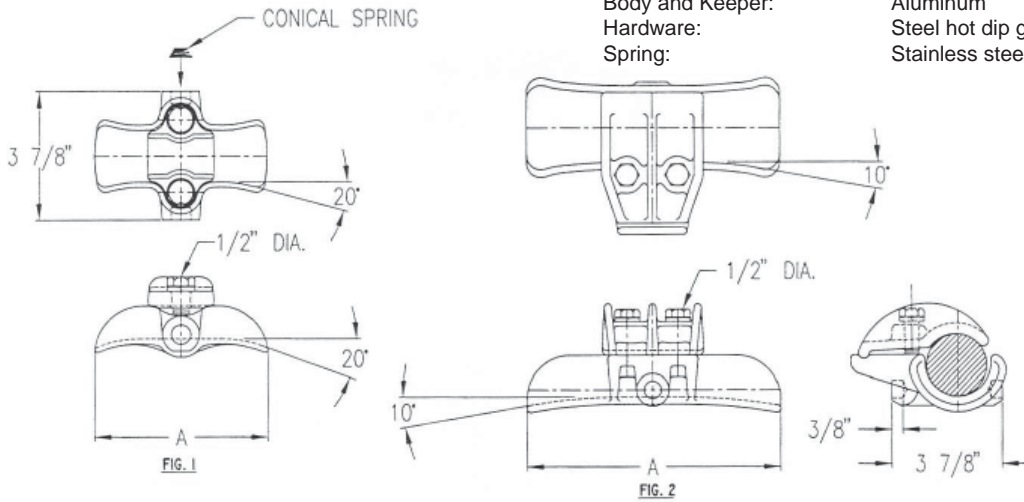
Aluminum

Hardware:

Steel hot dip galvanized

Spring:

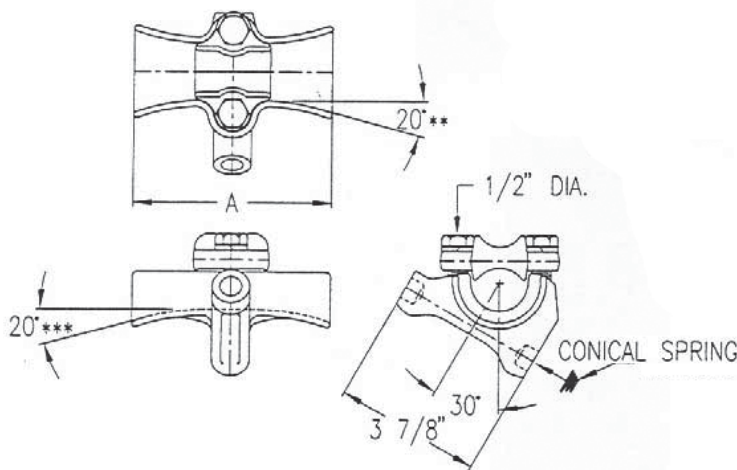
Stainless steel



Catalog Number	Fig	A	Conductor Range			Weight /100 (lbs)
			Inches	ACSR	Aluminum	
ACTS-057	1	5.25	0.23 - 0.57	4 - 4/0	4 - 4/0	82
ACTS-084	1	5.25	0.35 - 0.84	1 - 477	1/0 - 477	95
ACTS-118	1	5.25	0.50 - 1.18	3/0 - 795	4/0 - 1033.5	117
ACTS-150	1	5.25	0.93 - 1.50	556.5 - 1510.5	715.5 - 1590	127
ACTS-200	1	6.50	1.50 - 2.00	605 - 113*	795 - 1192.5	225
ACTS-230	2	8.75	1.90 - 2.30	1033.5 - 1431*	1192.5 - 1510.5*	242
ACTS-270	2	8.50	2.00 - 2.70	1272* - 2167*		275

Notes:

- 1) For spring in one trunnion, add suffix "-SL1"
- 2) For spring in both trunnions, add suffix "-SL2"
- 3) For stainless steel hardware, add suffix "-SS"
- 4) "*" = over formed armor rods



Aluminum Angle Trunnion Clamps

Material

Body and Keeper:

Aluminum

Hardware:

Steel hot dip galvanized

Spring:

Stainless steel

Catalog Number	A	Conductor Range			Weight/ 100 (lbs)
		Inches	ACSR	Aluminum	
ACP-057	5.25	0.23 - 0.57	4 - 4/0	4 - 4/0	82
ACP-084	5.25	0.35 - 0.84	1 - 477	1/0 - 477	95
ACP-118	5.25	0.50 - 1.18	3/0 - 795	4/0 - 1033.5	117
ACP-150	5.25	0.93 - 1.50	556.5 - 1510.5	715.5 - 1590	127
ACP-165	5.75	1.00 - 1.65	636 - 1780	795 - 2000	133
ACP-200	6.50	1.50 - 2.00	605 - 113*	795 - 1192.5	225

Notes:

- 1) For spring in one trunnion, add suffix "-SL1" -- ACP series only
- 2) For spring in both trunnions, add suffix "-SL2" -- ACP series only
- 3) "*" = over armor rods
- 4) "***" = 15 degree for ACP-165
- 5) "****" = 30 degrees for ACP-165



Trunnion Clamps

Iron Trunnion Clamps

Material

Body and Keeper:

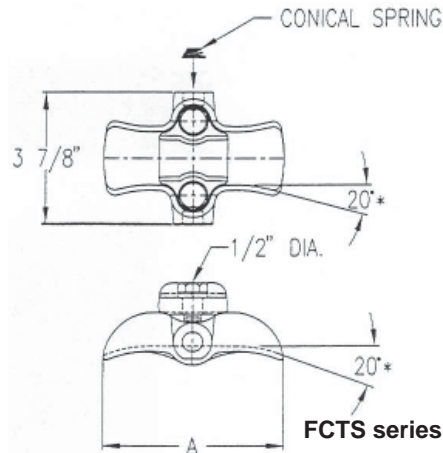
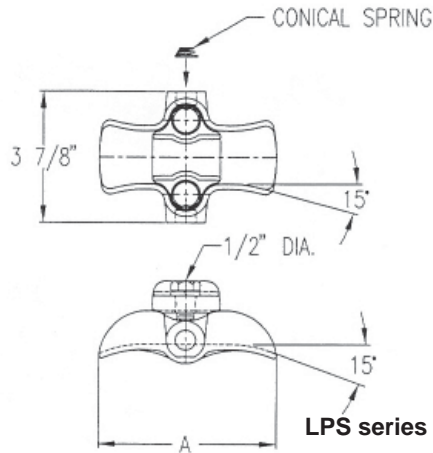
Iron hot dip galvanized

Hardware:

Steel hot dip galvanized or bronze

Spring:

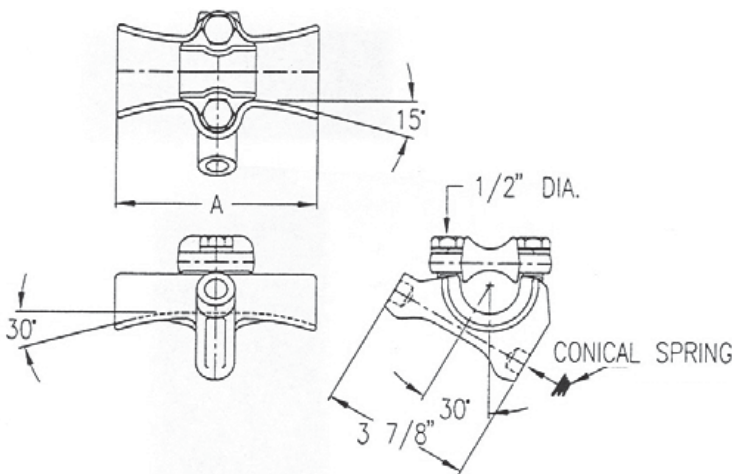
Stainless steel



Catalog Number	Material	A	Conductor Range Inches	Weight /100 (lbs)
LPS-57-F	Ductile Iron	5.13	0.25 - 0.57	200
LPS-57-B	Bronze	5.13	0.25 - 0.57	238
LPS-86-F	Ductile Iron	5.25	0.35 - 0.86	200
LPS-86-B	Bronze	5.25	0.35 - 0.86	232
LPS-118	Ductile Iron	5.50	0.50 - 1.18	120
FCTS-150	Ductile Iron	5.25	0.93 - 1.50	232

Notes:

- 1) LPS series supplied with spring in one trunnion. For FCTS series, add suffix "-SL1" for single spring
- 2) For spring in both trunnions, add suffix "-SL2"
- 3) For stainless steel hardware, add suffix "-SS"
- 4) Clamps are supplied with spring in one trunnion



Iron Angle Trunnion Clamps

Material

Body and Keeper:

Iron hot dip galvanized

Hardware:

Steel hot dip galvanized

Spring:

Stainless steel

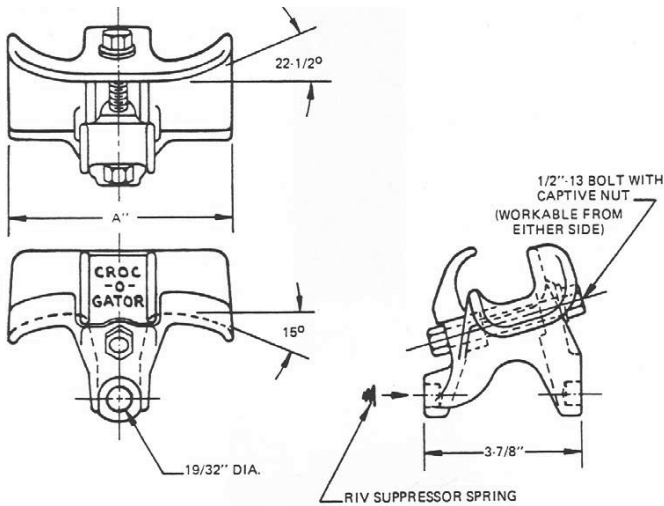
Catalog Number	A	Conductor Range Inches	Weight /100 (lbs)
PAC-200-F	6.00	1.50 - 2.00	200

Notes:

- 1) Clamps supplied with spring in one trunnion



Trunnion Clamps



Aluminum Universal Trunnion Clamps

Features

- Tangent or angle clamps for line angles of 0-45°
- Reversible in trunnion for internal or external angles
- Recommended torque: 40-45 ft/lbs
- RIV suppressor spring installed in one trunnion

Material

Body and Keeper: Aluminum alloy
 Hardware: Hot dip galvanized
 RIV Suppressor Spring: Stainless Steel

Catalog Number	Conductor Range Inches	A	Weight /100 (lbs)
ULPS2-75	0.25 - 0.75	5.00	140
ULPS2-118	0.68 - 1.18	5.50	144
ULPS2-140	0.68 - 1.40	6.00	158

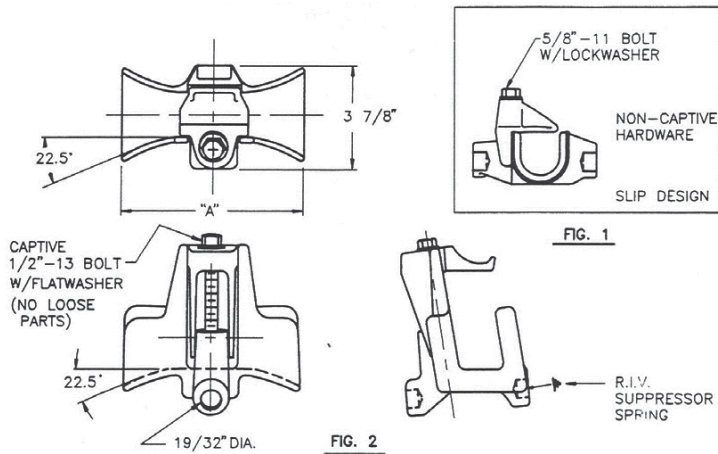
Notes:

- 1) Tangent or angle clamps for line angles 0-45°. Reversible in trunnion for internal or external angles.
- 2) RIV suppressor spring installed in one trunnion.

Catalog Number	Fig.	Conductor Range Inches	A	Weight /100 (lbs)
ULPS3-125-SCE	1	0.62 - 1.25	5.25	160
ULPS3-140	2	0.88 - 1.40	5.00	154

Notes:

- 1) For stainless steel hardware, add suffix "-SS"
- 2) These clamps have a longer support radius for greater protection to the conductor.
- 3) Recommended for line angles up to 22-1/2°
- 4) RIV suppressor spring installed in one trunnion



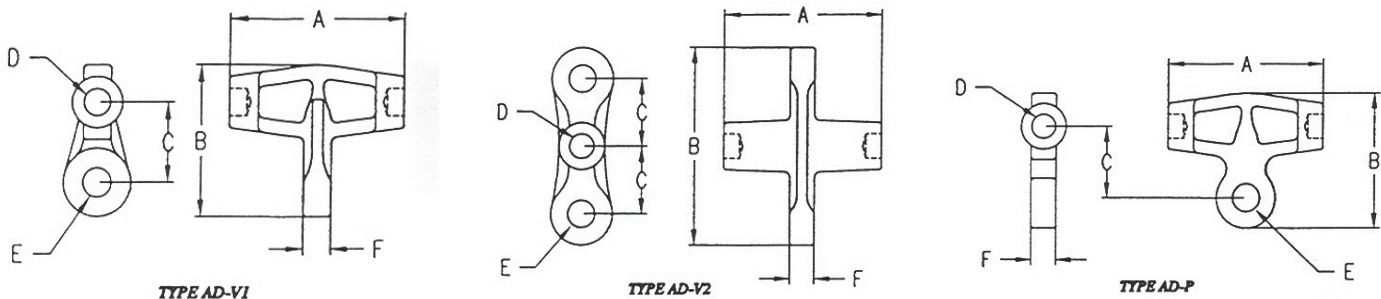
Clamp Adapters

Features

- AD-V1 adapters designed for use with both vertical and horizontal line post insulators
- AD-V2 adapters permit deadending in both directions from single insulator
- AD-P adapters designed for use with vertical line post insulators installed in either the horizontal or vertical position

Material

AD-V1/AD-V2: Aluminum
 AD-P: Aluminum alloy



Catalog Number	A	B	C	D	E	F	Weight /100 (lbs)
AD-V1	3.88	3.38	1.75	35/64	21/32	5/8	38
AD-V2	3.88	4.75	1.63	35/64	21/32	5/8	57
AD-P	3.88	3.38	1.75	35/64	21/32	5/8	38