

Extra-Deep 22.5mm Pushbutton Stainless Steel Enclosures



Application

Designed to hold 22.5mm oiltight pushbuttons, switches, and pilot lights. Enclosures provide protection against dust, dirt, oil, and water. Stainless steel enclosures also afford a high degree of protection in areas that may be regularly hosed down or are otherwise exposed to wet conditions.

Construction

- Type 304, 16 or 14 gauge stainless steel enclosures
- Seams continuously welded and ground smooth
- Captivated stainless steel cover screws thread into sealed wells
- Enclosures 8.50 x 4.00 x 4.75 in. (216 x 102 x 121mm) and larger have internal detachable hinge to hold cover open during wiring, yet permit immediate removal
- Bonding provision on door. Grounding stud on body.
- Oil-resistant gasket provides an effective seal

Finish

Enclosures are unpainted; covers and sides of body have a smooth #4 brushed finish.

Industry Standards

UL 508A, File Number E61997: Type 4, 4X, and 12
NEMA/EEMAC Type 4X, 12, and 13
CSA File Number 42186: Type 4, 4X, and 12
IEC 60529, IP66

Accessories

Oil-Tight Hole Seals
Pedestals
Tamper Resistant Screws

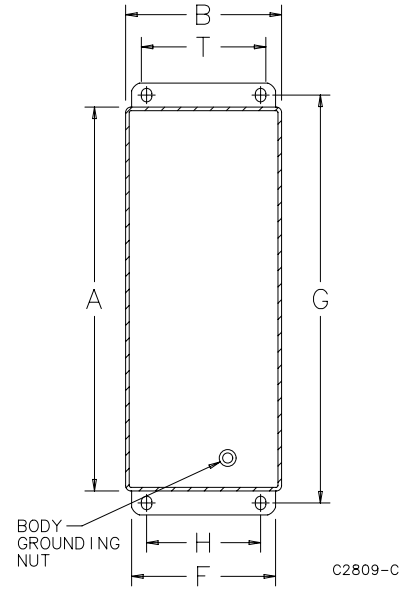
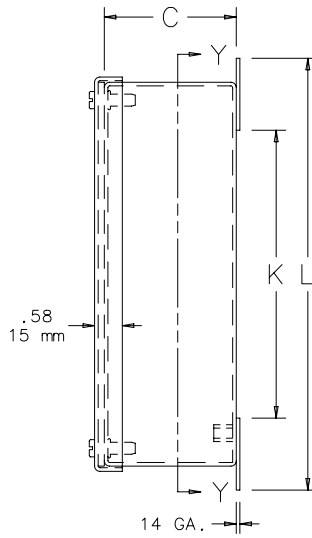
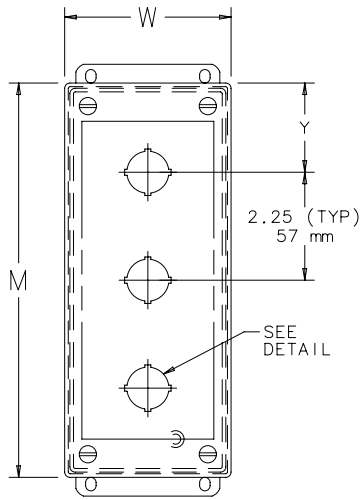
Standard Sizes 22.5mm Pushbutton Stainless Steel Enclosures

Catalog Number	Gauge	Holes	A x B x C in. (mm)	Mounting G x H (in.)	Mounting G x H (mm)	Overall L x W (in.)	Overall L x W (mm)	F (in.)	F (mm)	K (in.)	K (mm)	M (in.)	M (mm)	T (in.)	T (mm)	V (in.)	V (mm)	Y (in.)	Y (mm)
E1PBGXSS	16	1	4.00 x 4.00 x 4.75 (102 x 102 x 121)	4.50 x 3.13	114 x 80	5.00 x 4.22	127 x 107	3.75	95	2.00	51	4.22	85	3.34	85	5.00	127	—	—
E2PBGXSS	14	2	6.00 x 4.00 x 4.75 (152 x 102 x 121)	6.50 x 3.13	165 x 80	7.00 x 4.22	178 x 107	3.75	95	4.00	102	6.22	158	3.34	85	5.00	127	1.98	50
E3PBGXSS	14	3	8.00 x 4.00 x 4.75 (203 x 102 x 121)	8.50 x 3.13	216 x 80	9.00 x 4.22	229 x 107	3.75	95	6.00	152	8.22	209	3.34	85	5.00	127	1.86	47
E4PBGXSS	14	4	10.00 x 4.00 x 4.75 (254 x 102 x 121)	10.50 x 3.13	267 x 80	11.00 x 4.22	270 x 107	3.75	95	8.00	203	10.22	260	3.34	85	5.00	127	1.73	44

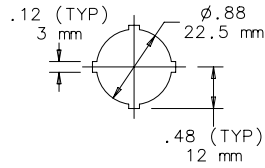
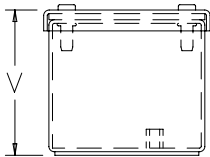
Extra-Deep 22.5mm Pushbutton Stainless Steel Enclosures

Bulletin
PBIS

Corrosion-Resistant
Enclosures



SECTION Y-Y



22.5mm 4-WAY

NOTE: Cover bonding provision location varies based on pushbutton pattern.

Hole Arrangement

