

1451-2W



Color:  White

UPC Code: 07847777820

Country of Origin: Please Contact Customer Service

Brand Features

Tried-and-true toggle designs, Leviton Residential Grade AC Quiet Switches cover all the bases; they install easily and are available in standard and illuminated versions. Their toggles and frames are constructed of impact-resistant thermoplastic, and they feature large head, hardened triple-drive screws for easy installation. Leviton's traditional switches are compatible with a wide range of Leviton plastic and metal wallplates.

Item Description

15 Amp, 120 Volt, Toggle Framed Single-Pole AC Quiet Switch, Residential Grade, Grounding, Quickwire Push-In & Side Wired, - White
Made in USA

Technical Information

Product Features

Grounding: Grounding

Feature: Framed

Amperage: 15 Amp

Voltage: 120 VAC

Voltage: 120 Volt

HP Rating: 1/2HP-120V

Max. Amperage: 12 Amp

Termination: Quickwire Push-In & Side

Actuator Material: Thermoplastic

Body Material: Thermoplastic

Strap Material: Steel

Color: White

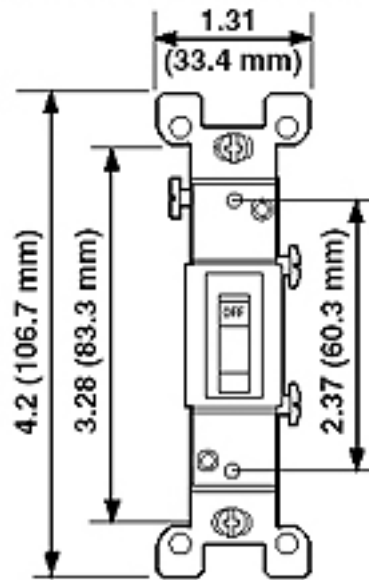
Standards and Certifications: UL/CSA

Warranty: 2 Year Limited

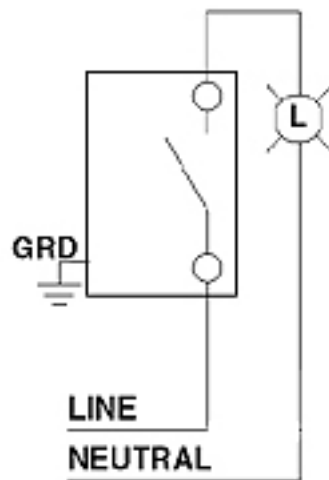
Features and Benefits

- Faster installation with combination of side wiring and Quickwire push-in wiring
- Quickwire accepts conductors up to #14 AWG.
- Side wire accepts conductors up to #12 AWG
- Large head triple-drive combination screws (Standard, Phillips, Robertson) for fast wiring installation
- Impact-resistant, durable thermoplastic toggle and frame
- Backed by a Limited Two-Year Warranty

Dimensional Diagram



Wiring Diagram Single Pole



SPECIFICATION SUBMITTAL

JOB NAME: <input type="text"/>	CATALOG NUMBERS: <input type="text"/>	
JOB NUMBER: <input type="text"/>	<input type="text"/>	<input type="text"/>

Leviton Manufacturing Co., Inc.

201 North Service Road, Melville, NY 11747

Telephone: 1-800-323-8920 · FAX: 1-800-832-9538 · Tech Line (8:30AM-7:30PM E.S.T. Monday-Friday): 1-800-824-3005

Leviton Manufacturing of Canada, Ltd.

165 Hymus Boulevard, Pointe Claire, Quebec H9R 1E9 · Telephone: 1-800-469-7890 ·

FAX: 1-800-824-3005 · www.leviton.com/canada

Leviton S. de R.L. de C.V.

Lago Tana 43, Mexico DF, Mexico CP 11290 · Tel.: (+52)55-5082-1040 · FAX: (+52)5386-1797 · www.leviton.com.mx

Visit our Website at: www.leviton.com

© 2012-2016 Leviton Manufacturing Co., Inc. All rights reserved. Subject to change without notice.

Leviton has a global presence.

If you would like to know where your local Leviton office is located please go to: www.leviton.com/international/contacts/

