

Table 8. UltraSIL Polymer-Housed Evolution Distribution-Class Surge Arrester UltraQUIK Catalog Numbering System



Catalog Number Digits:

1 = UltraSIL Polymer-Housed Arrester: **U**

2 & 3 = Arrester Class: **RT** = Evolution

4 & 5 = Arrester Rating (MCOV):

03 = 3 kV (2.55 kV)	12 = 12 kV (10.2 kV)	21 = 21 kV (17.0 kV)	30 = 30 kV (24.4 kV)
06 = 6 kV (5.1 kV)	15 = 15 kV (12.7 kV)	24 = 24 kV (19.5 kV)	33 = 33 kV (27.0 kV)
09 = 9 kV (7.65 kV)	18 = 18 kV (15.3 kV)	27 = 27 kV (22.0 kV)	36 = 36 kV (29.0 kV)
10 = 10 kV (8.4 kV)			

6 & 7 = Housing Code per Arrester Rating: Select from Table below.

★ = Standard Creepage Housing ○ = Optional Creepage Housings

Digits 6 & 7	04	05	06	07	08	09	10	11	12	13	14	15	16	17
Leakage Distance (in.)	10.1	13.0	15.9	18.8	21.7	24.6	27.5	30.4	33.3	36.2	39.1	42.0	44.9	47.8
Arrester Rating (kV rms)														
3	★													
6		★	○											
9		★	○	○	○									
10		★	○	○	○									
12				★	○	○	○							
15				★	○	○	○	○						
18					★	○	○	○	○					
21						★	○	○	○	○	○			
24							★	○	○	○	○			
27								★	○	○	○	○		
30									★	○	○	○	○	
33										★	○	○	○	○
36											★	○	○	○

8 = Line Terminal Wire: 0 = No Line Terminal Wire

1 = 12", #6 AWG Insulated Wire, Stripped 1.25" both ends

2 = 12", #6 AWG Insulated Wire, 1 ring terminal/1 end stripped 1.25"

3 = 12", #6 AWG Insulated Wire, 2 ring terminals

4 = 18", #6 AWG Insulated Wire, Stripped 1.25" both ends

5 = 18", #6 AWG Insulated Wire, 1 ring terminal/1 end stripped 1.25"

6 = 18", #6 AWG Insulated Wire, 2 ring terminals

7 = 30", #6 AWG Insulated Wire, Stripped 1.25" both ends

8 = 30", #6 AWG Insulated Wire, 1 ring terminal/1 end stripped 1.25"

9 = 30", #6 AWG Insulated Wire, 2 ring terminals

9 = Line Terminal Options

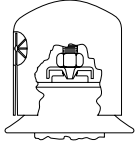
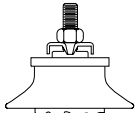
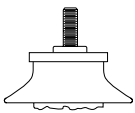
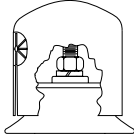
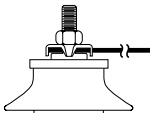
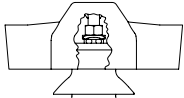
					
<p>A = Silicon Bronze Nut, Stainless Steel Wire Clamp & Universal Wildlife Protector. Reference Figure 8 for dimensional information.</p>	<p>B = Silicon Bronze Nut & Stainless Steel Wire Clamp</p>	<p>C = No Hardware</p>	<p>D = Silicon Bronze Nut, Lock Washer, Flat Washer & Universal Wildlife Protector (For leads with ring terminals) Reference Figure 7 for dimensional information.</p>	<p>K = Silicon Bronze Nut, Stainless Steel Wire Clamp</p>	<p>X = Silicon Bronze Nut, Stainless Steel Wire Clamp and line terminal wildlife guard. Reference Figure 9 for dimensional information.</p>

Table 8. UltraSIL Polymer-Housed Evolution Distribution-Class Surge Arrester UltraQUIK Catalog Numbering System (continued)

1	2	3	4	5	6	7	8	9	10	11	12	13	14	15
U	R	T												

10 = Isolator, with 3/8" stainless steel grounding stud

0 = No Isolator

2 = Red Isolator

4 = Blue Isolator

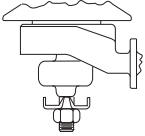
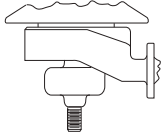
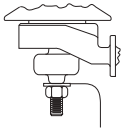
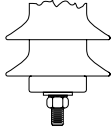
6 = Orange Isolator

1 = Black Isolator (**Standard**)

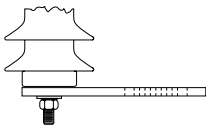
3 = Yellow Isolator

5 = White Isolator

11 = Ground Terminal Options

			
A = Stainless Steel Wire Clamp with Silicon Bronze Nut (Shown with optional Isolator and Insulated Hanger)	B = No Hardware (Shown with optional Isolator and Insulated Hanger)	C = Copper Transformer Grounding Strap with Stainless Steel Lock Washer & Silicon Bronze Nut (Shown with optional Isolator and Insulated Hanger)	D = Stainless Steel Washer, Lock Washer, Silicon Bronze Nut

12 = Base Configuration Options

		
0 = Insulated Base (Base Mounted Arrester)	1 = Insulated Hanger (Required with optional isolator) (Available only if Digits 6 & 7 are Housing Options 15 or less*) * For more information, contact your Eaton representative.	2 = Insulated Base With Conductive Mounting Strap (Requires "D" in Digit 11)

13 = Mounting Bracket Options

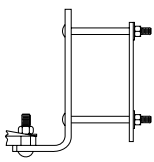
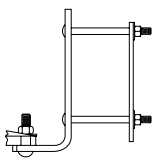
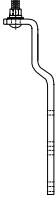
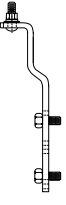
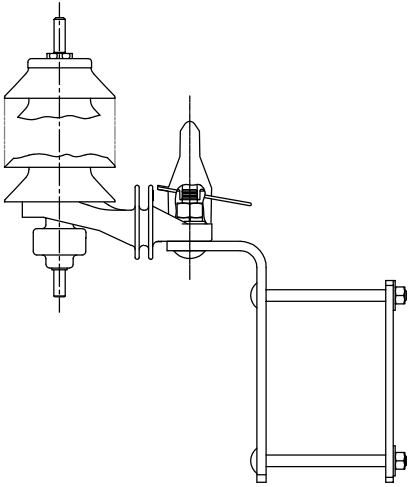
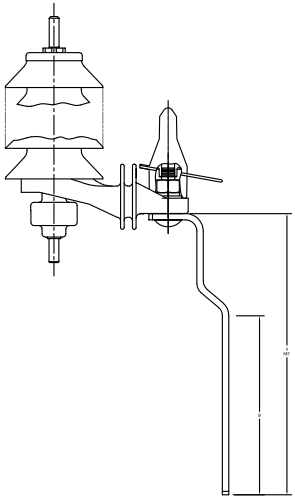
			
A = Without an Additional Mounting Bracket	B = NEMA [®] Cross-Arm Bracket (Arrester Mounting Hardware Included) (Requires "1" or "2" in Digit 12) (Refer to Figure 11 for dimensional information.)	C = Transformer Bracket (Arrester Mounting Hardware Included) (Requires "1" or "2" in Digit 12) (Refer to Figures 12 and 13 for dimensions by rating.)	D = Option C plus Transformer Mounting Hardware (2 each – 1/2", 13-UNC x 3/4" Bolts, Flat Washers, and Lock Washers) (Requires "1" or "2" in Digit 12) (Refer to Figures 12 and 13 for dimensions by rating.)

Table 8. UltraSIL Polymer-Housed Evolution Distribution-Class Surge Arrester UltraQUIK Catalog Numbering System (continued)

1	2	3	4	5	6	7	8	9	10	11	12	13	14	15
U	R	T												

12 & 13 = Double Digit Mounting Options with Ground Terminal Wildlife Guard

 <p>E8 = Ground Terminal Wildlife Guard, Insulated Hanger (Shown with optional isolator), NEMA® cross-arm bracket (Arrester Mounting Hardware Included) Refer to Figures 10 and 11 for dimensional information</p>	 <p>E9 = Ground Terminal Wildlife Guard, Insulated Hanger (Shown with optional isolator), transformer bracket. Reference Figures 10, 12, and 13 for dimensional information.</p>
--	--

14 = Nameplate Information: 1 = IEEE Std C62.11™ standard Required Data

- 15** = Packaging:
- A** = Individual Carton (Assembled Terminal Hardware). Each arrester is shipped in an individual high strength cardboard carton. The top and bottom terminal hardware is assembled to the arrester. Any optional brackets or hardware are provided unassembled.
 - C** = Bulk Packed (Assembled Terminal Hardware). Pallet sized bulk cardboard packaging for transformer mounting bracket options (Digits 13 = C or D only). Each arrester is shipped fully assembled including transformer mounting bracket. Available for 3-24 kV arresters only. Full pallet quantities only: 3-10 kV = 90, 12-18 kV = 72, 21-24 kV = 40.
 - 3** = **International**, Individual Carton (Assembled Terminal Hardware). Each arrester with accessories is shipped in an individual cardboard carton. The top and bottom terminal hardware is assembled to the arrester. Individual cartons are packed within a heavy duty quadwall carton having a skid bottom and suitable for double stacking within an ocean shipping container.