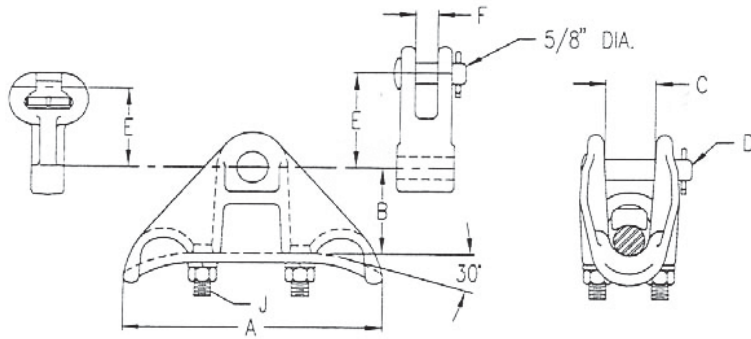




# Standard Suspension Clamps



## Aluminum Standard Suspension Clamps

### Features

- Recommended torque on U-Bolts: 1/2" = 40-45 ft/lbs, 5/8" = 65-70 ft/lbs

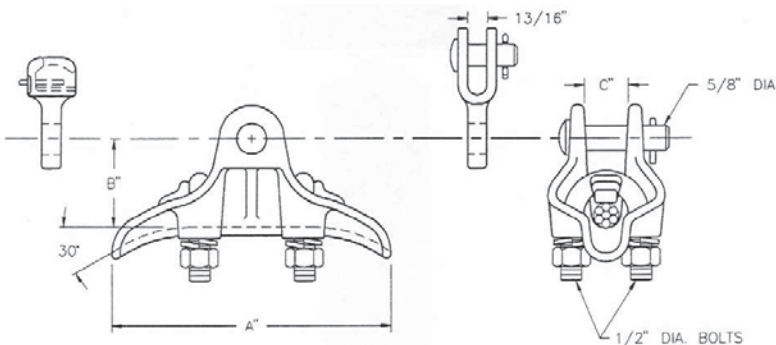
### Material

Body and Keeper: Aluminum alloy  
 Cotter Pin: Stainless steel  
 Hardware: Steel hot dip galvanized

Catalog Number	Conductor Range Inches	Dimensions					Option Fitting		Ultimate Strength	Weight /100 (lbs)
		A	B	C	D	F	Socket (-S)	Clevis (-C)		
LS-0-N	0.20 - 0.70	6.44	2.13	0.84	5/8	1/2	SI-625	SCE-625	17000	180
LS-1-N	0.40 - 0.87	7.44	2.31	1.00	5/8	1/2	SI-875	SCE-55-875	18000	253
LS-2-N	0.40 - 1.05	7.50	2.50	1.25	5/8	1/2	SI-1125	SCE-55-1125	25000	273
LS-3-N	0.75 - 1.19	7.88	2.63	1.38	5/8	1/2	SI-1375	SCE-55-1375A	25000	329
LS-4-N	0.87 - 1.37	7.88	2.75	1.56	5/8	1/2	SI-1375	SCE-55-1375A	25000	346
LS-6-N	1.00 - 1.49	8.56	3.00	1.63	5/8	1/2	SI-1375	SCE-55-1375A	25000	376
LS-7-N	1.10 - 1.77	9.88	3.25	2.00	5/8	1/2	SI-1750	SCE-55-1750	25000	461
LS-8-N	1.25 - 1.92	9.88	3.50	2.13	5/8	1/2	SI-1750	SCE-55-1750	25000	486
LS-9-N	1.40 - 2.18	10.00	3.81	2.25	5/8	1/2	SI-2000	SCE-55-2000	25000	686
ASC-10-N	1.75 - 2.33	10.38	3.88	2.31	5/8	5/8	SI-2187*	SCE-55-2187**	25000	705
ASC-11-N	2.00 - 2.55	11.00	4.13	2.63	5/8	5/8	SI-2500*	SCE-55-2500**	25000	894
ASC-12-N	2.35 - 2.85	14.00	5.00	3.00	3/4	5/8	SE-2750-6*		40000	1280

### Notes:

- 1) "-N" suffix indicates no fitting
- 2) "-S" suffix indicates socket fitting for use with Class 52-3 or 52-3 insulators
- 3) "-C" suffix indicates straight clevis for use with Class 52-1, 52-2, 52-4, or 52-6 insulators
- 4) "\*" = Socket fitting for Class 52-8 insulators available. Specify by adding suffix "-S8" instead of "-S"
- 5) "\*\*" = Clevis fitting for Class 52-7 insulators available. Specify by adding suffix "-C7" instead of "-C"



## Iron Standard Suspension Clamps

### Features

- Recommended torque on U-Bolts: 40-45 ft/lbs

### Material

Body and Keeper: Ductile iron hot dip galvanized  
 Cotter Pin: Stainless steel  
 Hardware: Steel hot dip galvanized

Catalog Number	Conductor Range Inches	Dimensions			Option Fitting		Ultimate Strength	Weight /100 (lbs)
		A	B	C	Socket (-S)	Clevis (-C)		
FSC-46	0.16 - 0.46	5 - 5/8	11/16	2	SI - 500	SCE-55-500	16000	247
FSC-60	0.20 - 0.60	6 - 3/8	7/8	2	SI - 625	SCE-55-625	17000	308
FSC-70	0.30 - 0.70	6 - 3/8	15/16	2 - 3/8	SI - 625	SCE-55-625	18000	389
FSC-83	0.40 - 0.83	6 - 3/4	1	2 - 3/8	SI - 875	SCE-55-875	18000	400