

Applications:

EDS and EFD enclosures are installed in a rigid metallic conduit system for surface mounting adjacent to or remote from equipment being controlled and are used:

- To prevent arcing of enclosed switch from causing ignition of a specific hazardous atmosphere or atmospheres external to the enclosure
- In industrial areas such as chemical plants, oil and gas refineries, paint and varnish manufacturing plants, gasoline bulk loading terminals, grain elevators, grain processing industries, coal processing or handling areas, or metal handling or finishing areas where atmosphere may contain hazardous gases and/or dust
- In non-hazardous areas where sturdy, durable enclosures are required

Features:

- Small and compact in design.
- Used with snap switches.
- Mounting lugs and taper tapped hubs with integral bushings.
- Large machine screws for fastening covers to bodies.
- Lockout hole for padlock having 1/4" hasp is provided.
- Threaded type shafts and bushings are used to insure flame tightness.

Certifications and Complies:

- NEC/CEC:
 - Class I, Divisions 1 & 2, Groups B*, C, D
 - Class II, Division 1, Groups E, F, G
 - Class II, Division 2, Groups F, G
 - Class III
- NEMA/EEMAC: 3, 7B*CD, 9EFG, 12
- UL Standard: 1203
- CSA Standard: C22.2 No. 30

Standard Materials:

- Bodies and covers – *Feraloy*® iron alloy
- Shafts – stainless steel
- Shaft bushings – stainless steel

Standard Finishes:

- *Feraloy* iron alloy – electrogalvanized and aluminum acrylic paint
- Stainless steel – natural

Options:

Description

- Two or three gang bodies can be supplied with combinations of devices listed for one gang enclosures – Refer to modular listing, section 4C
- Class I Group B, NEMA 7B – see listing pages
- Bodies and Covers: copper-free aluminum
- Flush wall mounting cover with 1/2" overhang – single gang only – dull black instrument finish

Suffix

- GB**
- SA**
- S173**



EDS Enclosed Snap Switch

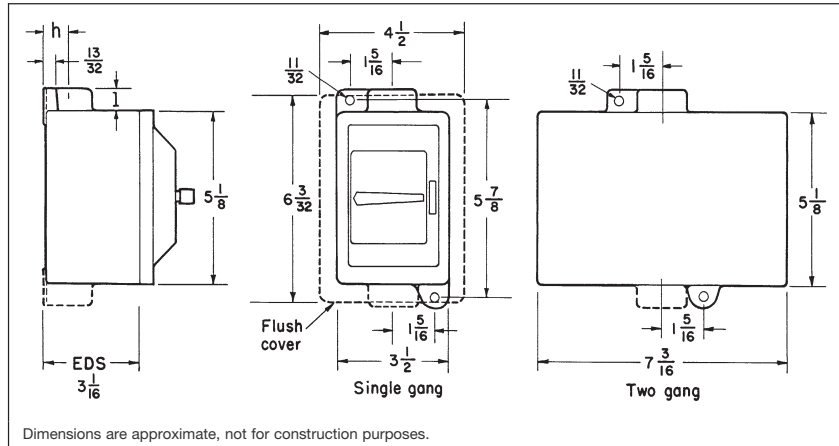
Electrical Ratings

Complies with U.L. snap switch test requirements as follows:

Type of Test	AC-Rated (only) Switch
Overload	Rated Amp. +380% Power Factor .40 – .50 100 cycles, 6 – 10 cycles per minute
Non-Inductive Endurance	10,000 cycles, 18 – 24 cycles per minute at rated current – .98 min. P.F.
Inductive Endurance	10,000 cycles, 18 – 24 cycles per minute – .75 – .80 P.F.
Tungsten Filament Lamp Endurance	10,000 cycles, 6 – 10 cycles per minute at rated current and 120 volts
Temperature Rise	Not to exceed 30°C
Dielectric Withstand	1500 volts

Dimensions

In Inches:



Hub Size	Dim. "h"	Dim. "l"
3/4	7/8	13/16
1	1	15/16

*Class I, Group B:
All units listed on this page can be modified for Class I, Group B usage. Add suffix GB to the catalog number. Example: EDS2129-GB.
Seals must be installed within 1/2" of each conduit opening in Division 1.

EDS and EFD Enclosures

with General Use Snap Switches
Front Operated

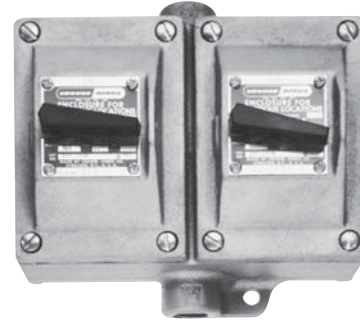
Cl. I, Div. 1 & 2, Groups B*, C, D
Cl. II, Div. 1, Groups E, F, G
Cl. II, Div. 2, Groups F, G
Cl. III
NEMA 3, 7B*CD, 9EFG, 12

Explosionproof
Dust-Ignitionproof
Raintight
Wet Locations

2A



Dead end



Through feed

Ordering Information:

Hub Size	Style	Amperes§		Single Gang		Replacement Switch	Two Gang ■	
		120VAC	277VAC	Dead End Cat. #	Through Feed Cat. #		Dead End Cat. #	Through Feed Cat. #
3/4	1-pole	20	20	EDS2129	EDSC2129†	SW5	EDS2229	EDSC2229†
3/4	2-pole	20	20	EDS218	EDSC218†	SW6		EDSC228†
3/4	3-pole	‡ ☉	‡	EDS2123	EDSC2123	0206500		EDSC2223
3/4	3-way	20	20	EDS2130	EDSC2130	SW7	EDS2230	EDSC2230
3/4	4-way	20	20	EDS2140	EDSC2140	SW8		EDSC2240
1	1-pole	20	20	EDS3129	EDSC3129†	SW5	EDS3229	EDSC3229†
1	2-pole	20	20	EDS318	EDSC318†	SW6	EDS328	EDSC328†
1	3-pole	‡ ☉	‡	EDS3123	EDSC3123	0206500		EDSC3223
1	3-way	20	20	EDS3130	EDSC3130	SW7	EDS3230	EDSC3230
1	4-way	20	20	EDS3140	EDSC3140	SW8	EDS3240	EDSC3240
1	1-pole	30 ☉	30	EFD3591	EFDC3591†	AH3991▲	EFD3691	EFDC3691†
1	2-pole	30 ☉	30	EFD3593	EFDC3593†	AH3992▲		EFDC3693†
1	3-way	30 ☉	30	EFD3594	EFDC3594	AH3993▲	EFD3694	EFDC3694

2A

*For Class I, Division 1, Group B, add the GB suffix and install seals within 1-1/2" of conduit openings. Class I, Division 2, Group B is standard and no seals are required.

†ON-OFF standard marking for 1-pole and 2-pole units
‡15A, 125 VAC; 10A, 250 VAC

§See table on pages 694-695 for AC-rated switch information.

■Combinations of switches can be furnished.

▲Purchase from Eaton's Wiring Devices.

☉ Not factory sealed.