

Sloping Front 30.5mm and 22.5mm Pushbutton Enclosures



- 4-way pushbutton holes accept all brands of oiltight pushbuttons, switches, and pilot lights
- Enclosures 7.25 x 6.25 x 6.75 in. (184 x 159 x 171mm) and larger have internal detachable hinge to hold cover open during wiring, yet permit immediate removal
- Larger enclosures with standard mounting brackets removed are ideally suited for mounting on pedestals

Finish

ANSI 61 gray polyester powder paint inside and out over phosphatized surfaces.

Industry Standards

UL 508A, File Number E61997: Type 12, 13
NEMA/EEMAC Type 12, 13
CSA File Number 42186: Type 12
IEC 60529, IP65

Application

Designed to hold 30.5mm or 22.5mm oil-tight pushbuttons, switches, and pilot lights where slanted control surfaces are desired. Sloping front pushbutton enclosures provide protection against dirt, dust, oil, and water.

Construction

- 14 gauge steel
- Seams continuously welded and ground smooth
- Captivated cover screws thread into sealed wells
- Grounding stud in body of enclosure
- Bonding provision on cover
- Oil-resistant gasket and adhesive

Accessories

See Accessories chapter.
Corrosion Inhibitors
Oiltight Hole Seals
Pedestals
Tamper Resistant Screws
Touch-Up Paint (ATPPY61)

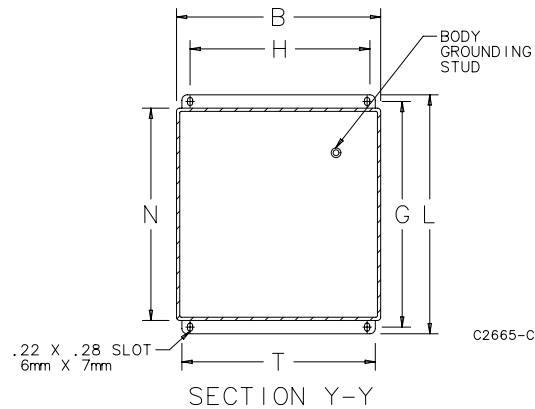
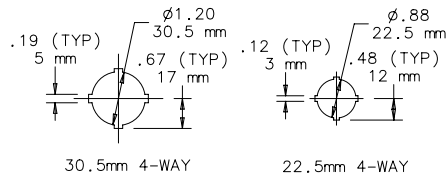
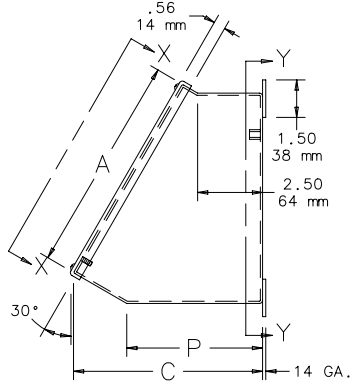
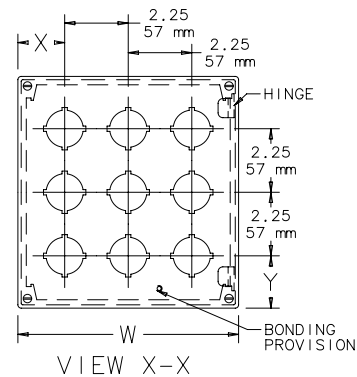
Standard Sizes Sloping Front 30.5mm and 22.5mm Pushbutton Enclosures with Panels

| Catalog Number | A x B x C in. (mm) | Hole Size (mm) | Number of Holes | Mounting G x H in. (mm) | Overall L x W in. (mm) | N (in.) | N (mm) | P (in.) | P (mm) | T (in.) | T (mm) | X (in.) | X (mm) | Y (in.) | Y (mm) |
|----------------|---------------------------------------|----------------|-----------------|--------------------------|--------------------------|---------|--------|---------|--------|---------|--------|---------|--------|---------|--------|
| E1PBA | 3.50 x 3.25 x 4.84 (89 x 83 x 123) | 30.5 | 1 | 4.03 x 2.38 (102 x 60) | 4.53 x 3.47 (115 x 88) | 3.53 | 90 | 3.34 | 85 | 3 | 76 | 1.73 | 44 | 1.86 | 47 |
| E1PBAM | 3.50 x 3.25 x 4.84 (89 x 83 x 123) | 22.5 | 1 | 4.03 x 2.38 (102 x 60) | 4.53 x 3.47 (115 x 88) | 3.53 | 90 | 3.34 | 85 | 3 | 76 | 1.73 | 44 | 1.86 | 47 |
| E2PBA | 3.50 x 5.50 x 4.84 (89 x 140 x 123) | 30.5 | 2 | 4.03 x 4.62 (102 x 117) | 4.53 x 5.72 (115 x 145) | 3.53 | 90 | 3.34 | 85 | 5.25 | 133 | 1.73 | 44 | 1.86 | 47 |
| E2PBAM | 3.50 x 5.50 x 4.84 (89 x 140 x 123) | 22.5 | 2 | 4.03 x 4.62 (102 x 117) | 4.53 x 5.72 (115 x 145) | 3.53 | 90 | 3.34 | 85 | 5.25 | 133 | 1.73 | 44 | 1.86 | 47 |
| E3PBA | 3.50 x 7.75 x 4.84 (89 x 197 x 123) | 30.5 | 3 | 4.03 x 6.88 (102 x 175) | 4.53 x 7.97 (115 x 202) | 3.53 | 90 | 3.34 | 85 | 7.5 | 191 | 1.73 | 44 | 1.86 | 47 |
| E3PBAM | 3.50 x 7.75 x 4.84 (89 x 197 x 123) | 22.5 | 3 | 4.03 x 6.88 (102 x 175) | 4.53 x 7.97 (115 x 202) | 3.53 | 90 | 3.34 | 85 | 7.5 | 191 | 1.73 | 44 | 1.86 | 47 |
| E4PBA | 3.50 x 10.00 x 4.84 (89 x 254 x 123) | 30.5 | 4 | 4.03 x 9.12 (102 x 232) | 4.53 x 10.22 (115 x 260) | 3.53 | 90 | 3.34 | 85 | 9.75 | 248 | 1.73 | 44 | 1.86 | 47 |
| E4PBAM | 3.50 x 10.00 x 4.84 (89 x 254 x 123) | 22.5 | 4 | 4.03 x 9.12 (102 x 232) | 4.53 x 10.22 (115 x 260) | 3.53 | 90 | 3.34 | 85 | 9.75 | 248 | 1.73 | 44 | 1.86 | 47 |
| E4SPBA | 7.25 x 6.25 x 6.75 (184 x 159 x 171) | 30.5 | 4 | 7.28 x 5.38 (185 x 137) | 7.78 x 6.47 (198 x 164) | 6.78 | 172 | 5.22 | 133 | 6 | 152 | 2.11 | 54 | 2.61 | 66 |
| E4SPBAM | 7.25 x 6.25 x 6.75 (184 x 159 x 171) | 22.5 | 4 | 7.28 x 5.38 (185 x 137) | 7.78 x 6.47 (198 x 164) | 6.78 | 172 | 5.22 | 133 | 6 | 152 | 2.11 | 54 | 2.61 | 66 |
| E6PBA | 7.25 x 8.50 x 6.75 (184 x 216 x 171) | 30.5 | 6 | 7.28 x 7.62 (185 x 194) | 7.78 x 8.72 (198 x 221) | 6.78 | 172 | 5.22 | 133 | 8.25 | 210 | 2.11 | 54 | 2.61 | 66 |
| E6PBAM | 7.25 x 8.50 x 6.75 (184 x 216 x 171) | 22.5 | 6 | 7.28 x 7.62 (185 x 194) | 7.78 x 8.72 (198 x 221) | 6.78 | 172 | 5.22 | 133 | 8.25 | 210 | 2.11 | 54 | 2.61 | 66 |
| E8PBA | 7.25 x 10.75 x 6.75 (184 x 273 x 171) | 30.5 | 8 | 7.28 x 9.88 (185 x 251) | 7.78 x 10.97 (198 x 279) | 6.78 | 172 | 5.22 | 133 | 10.5 | 267 | 2.11 | 54 | 2.61 | 66 |
| E8PBAM | 7.25 x 10.75 x 6.75 (184 x 273 x 171) | 22.5 | 8 | 7.28 x 9.88 (185 x 251) | 7.78 x 10.97 (198 x 279) | 6.78 | 172 | 5.22 | 133 | 10.5 | 267 | 2.11 | 54 | 2.61 | 66 |
| E9PBA | 9.50 x 8.50 x 7.88 (241 x 216 x 200) | 30.5 | 9 | 9.25 x 7.62 (235 x 194) | 9.73 x 8.72 (247 x 221) | 8.73 | 222 | 6.34 | 161 | 8.25 | 210 | 2.11 | 54 | 2.61 | 66 |
| E9PBAM | 9.50 x 8.50 x 7.88 (241 x 216 x 200) | 22.5 | 9 | 9.25 x 7.62 (235 x 194) | 9.73 x 8.72 (247 x 221) | 8.73 | 222 | 6.34 | 161 | 8.25 | 210 | 2.11 | 54 | 2.61 | 66 |
| E10PBA | 7.25 x 13.00 x 6.75 (184 x 330 x 171) | 30.5 | 10 | 7.28 x 12.12 (185 x 308) | 7.78 x 13.22 (198 x 336) | 6.78 | 172 | 5.22 | 133 | 12.75 | 324 | 2.11 | 54 | 2.61 | 66 |
| E10PBAM | 7.25 x 13.00 x 6.75 (184 x 330 x 171) | 22.5 | 10 | 7.28 x 12.12 (185 x 308) | 7.78 x 13.22 (198 x 336) | 6.78 | 172 | 5.22 | 133 | 12.75 | 324 | 2.11 | 54 | 2.61 | 66 |
| E12PBA | 7.25 x 15.25 x 6.75 (184 x 387 x 171) | 30.5 | 12 | 7.28 x 14.38 (185 x 365) | 7.78 x 15.47 (198 x 393) | 6.78 | 172 | 5.22 | 133 | 15 | 381 | 2.11 | 54 | 2.61 | 66 |
| E12PBAM | 7.25 x 15.25 x 6.75 (184 x 387 x 171) | 22.5 | 12 | 7.28 x 14.38 (185 x 365) | 7.78 x 15.47 (198 x 393) | 6.78 | 172 | 5.22 | 133 | 15 | 381 | 2.11 | 54 | 2.61 | 66 |

Sloping Front 30.5mm and 22.5mm Pushbutton Enclosures

Operator Interface
Enclosure Systems

| Catalog Number | A x B x C in. (mm) | Hole Size (mm) | Number of Holes | Mounting G x H in. (mm) | Overall L x W in. (mm) | N (in.) | N (mm) | P (in.) | P (mm) | T (in.) | T (mm) | X (in.) | X (mm) | Y (in.) | Y (mm) |
|----------------|--|----------------|-----------------|------------------------------|------------------------------|---------|--------|---------|--------|---------|--------|---------|--------|---------|--------|
| E12SPBA | 11.75 x 8.50 x 9.00 (298 x 216 x 229) | 30.5 | 12 | 11.19 x 7.62 (284 x 194) | 11.69 x 8.72 (297 x 221) | 10.69 | 272 | 7.47 | 190 | 8.25 | 210 | 2.11 | 54 | 2.61 | 66 |
| E12SPBAM | 11.75 x 8.50 x 9.00 (298 x 216 x 229) | 22.5 | 12 | 11.19 x 7.62 (284 x 194) | 11.69 x 8.72 (297 x 221) | 10.69 | 272 | 7.47 | 190 | 8.25 | 210 | 2.11 | 54 | 2.61 | 66 |
| E16SPBAH | 7.25 x 19.75 x 6.75 (184 x 502 x 171) | 30.5 | 16 | 7.28 x 18.88 (185 x 480) | 7.78 x 19.97 (198 x 507) | 6.78 | 172 | 5.22 | 133 | 19.5 | 495 | 2.11 | 54 | 2.61 | 66 |
| E16SPBAHM | 7.25 x 19.75 x 6.75 (184 x 502 x 171) | 22.5 | 16 | 7.28 x 18.88 (185 x 480) | 7.78 x 19.97 (198 x 507) | 6.78 | 172 | 5.22 | 133 | 19.5 | 495 | 2.11 | 54 | 2.61 | 66 |
| E16PBA | 11.75 x 10.75 x 9.00 (298 x 273 x 229) | 30.5 | 16 | 11.19 x 9.88 (284 x 251) | 11.69 x 10.97 (297 x 279) | 10.69 | 272 | 7.47 | 190 | 10.5 | 267 | 2.11 | 54 | 2.61 | 66 |
| E16PBAM | 11.75 x 10.75 x 9.00 (298 x 273 x 229) | 22.5 | 16 | 11.19 x 9.88 (284 x 251) | 11.69 x 10.97 (297 x 279) | 10.69 | 272 | 7.47 | 190 | 10.5 | 267 | 2.11 | 54 | 2.61 | 66 |
| E20PBA | 11.75 x 13.00 x 9.00 (298 x 330 x 229) | 30.5 | 20 | 11.19 x 12.12 (284 x 308) | 11.69 x 13.22 (297 x 336) | 10.69 | 272 | 7.49 | 190 | 12.75 | 324 | 2.11 | 54 | 2.61 | 66 |
| E20PBAM | 11.75 x 13.00 x 9.00 (298 x 330 x 229) | 22.5 | 20 | 11.19 x 12.12 (284 x 308) | 11.69 x 13.22 (297 x 336) | 10.69 | 272 | 7.49 | 190 | 12.75 | 324 | 2.11 | 54 | 2.61 | 66 |
| E25PBA | 14.00 x 13.00 x 10.12 (356 x 330 x 257) | 30.5 | 25 | 13.12 x 12.12 (333 x 308) | 13.62 x 13.22 (346 x 336) | 12.62 | 321 | 8.59 | 218 | 12.75 | 324 | 2.11 | 54 | 2.61 | 66 |
| E25PBAM | 14.00 x 13.00 x 10.12 (356 x 330 x 257) | 22.5 | 25 | 13.12 x 12.12 (333 x 308) | 13.62 x 13.22 (346 x 336) | 12.62 | 321 | 8.59 | 218 | 12.75 | 324 | 2.11 | 54 | 2.61 | 66 |
| E30PBA | 14.00 x 15.25 x 10.12 (356 x 387 x 257) | 30.5 | 30 | 13.12 x 14.38 (333 x 365) | 13.62 x 15.47 (346 x 393) | 12.62 | 321 | 8.59 | 218 | 15 | 381 | 2.11 | 54 | 2.61 | 66 |
| E30PBAM | 14.00 x 15.25 x 10.12 (356 x 387 x 257) | 22.5 | 30 | 13.12 x 14.38 (333 x 365) | 13.62 x 15.47 (346 x 393) | 12.62 | 321 | 8.59 | 218 | 15 | 381 | 2.11 | 54 | 2.61 | 66 |



Hole Arrangement

