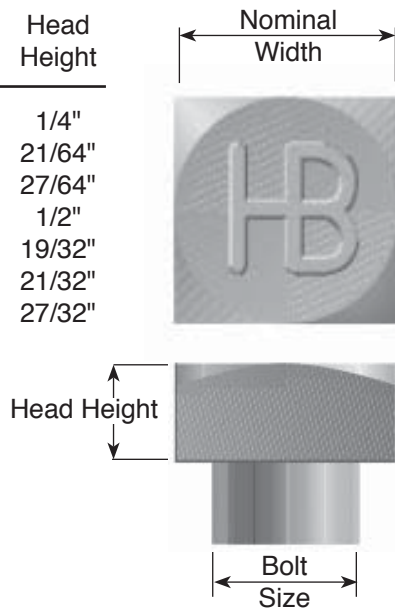


Dimension Table

Bolt Size	Nominal Width	Head Height
3/8"	9/16"	1/4"
1/2"	3/4"	21/64"
5/8"	15/16"	27/64"
3/4"	1-1/8"	1/2"
7/8"	1-5/16"	19/32"
1"	1-1/2"	21/32"
1-1/4"	1-7/8"	27/32"



Square Head Bolts

Hughes Brothers Square Head Machine Bolts are manufactured in accordance with ANSI C135.80 using SAE C1018 cold drawn or ASTM A36 steel. The machine bolts are galvanized in accordance with ASTM A153. Each bolt is shipped with an assembled nut. All bolts feature a 60° semi-cone point.

Following ANSI specifications, the unthreaded portion of any machine bolt is capable of being bent 180°, about a diameter equal to the diameter of the bolt without cracking the steel on the outside portion of the bend.

*Some bolts of smaller diameter or shorter length may not display the HB symbol.

Shear Strengths

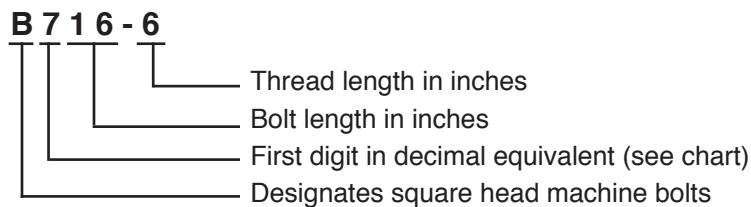
Bolt Diameter	Single Shear Through Threads	Single Shear Through Shaft
3/8"	-	-
1/2"	5,200 lbs.	7,950 lbs.
5/8"	8,330 lbs.	12,420 lbs.
3/4"	12,440 lbs.	17,890 lbs.
7/8"	17,270 lbs.	24,350 lbs.
1"	22,690 lbs.	31,800 lbs.
1-1/4"	36,590 lbs.	49,700 lbs.

Tensile Strengths

Bolt Diameter	Minimum Tensile Strength
3/8"	4,250 lbs.
1/2"	7,800 lbs.
5/8"	12,400 lbs.
3/4"	18,350 lbs.
7/8"	25,400 lbs.
1"	33,500 lbs.
1-1/4"	53,300 lbs.

Decimal Equivalency Chart		
Fraction	Decimal	HUGHES
1/4"	.2	2
3/8"	.3	3
1/2"	.5	5
5/8"	.6	6
3/4"	.7	7
7/8"	.8	8
1"	.1	10
1-1/8"	1.125	11
1-1/4"	1.25	12

Ordering Information



Square Head Bolts



Stock No.	Item Description	Std. Pkg.	Weight 100 Pcs.	Stock No.	Item Description	Std. Pkg.	Weight 100 Pcs.
1/2" Square Head Bolts				3/4" Square Head Bolts			
B51-1/2-1-1/4	1/2" x 1-1/2"	250	20 lbs.	B72-1-3/4	3/4" x 2"	100	56 lbs.
B52-1-1/4	1/2" x 2"	250	23 lbs.	B72-1/2-1-3/4	3/4" x 2-1/2"	100	62 lbs.
B52-1/2-1-1/4	1/2" x 2-1/2"	250	25 lbs.	B73-1-3/4	3/4" x 3"	100	68 lbs.
B53-1-1/4	1/2" x 3"	250	28 lbs.	B74-2	3/4" x 4"	50	80 lbs.
B53-1/2-1-1/4	1/2" x 3-1/2"	200	31 lbs.	B75-2	3/4" x 5"	50	91 lbs.
B54-1-1/4	1/2" x 4"	100	33 lbs.	B76-3	3/4" x 6"	50	103 lbs.
B54-1/2-1-1/4	1/2" x 4-1/2"	100	36 lbs.	B77-3	3/4" x 7"	40	115 lbs.
B55-1-3/4	1/2" x 5"	100	39 lbs.	B78-4	3/4" x 8"	40	127 lbs.
B55-1/2-1-1/4	1/2" x 5-1/2"	100	41 lbs.	B710-4	3/4" x 10"	30	151 lbs.
B56-3	1/2" x 6"	100	44 lbs.	B712-6	3/4" x 12"	30	175 lbs.
B57-3	1/2" x 7"	100	49 lbs.	B714-6	3/4" x 14"	30	198 lbs.
B58-4	1/2" x 8"	100	55 lbs.	B716-6	3/4" x 16"	25	222 lbs.
B59-4	1/2" x 9"	50	60 lbs.	B718-6	3/4" x 18"	20	246 lbs.
B510-4	1/2" x 10"	50	65 lbs.	B720-6	3/4" x 20"	20	270 lbs.
B512-6	1/2" x 12"	50	76 lbs.	B722-6	3/4" x 22"	20	293 lbs.
B514-6	1/2" x 14"	50	87 lbs.	B724-6	3/4" x 24"	15	317 lbs.
5/8" Square Head Bolts				B726-6	3/4" x 26"	15	341 lbs.
B61-1/2-1-1/4	5/8" x 1-1/2"	100	31 lbs.	B728-8	3/4" x 28"	15	365 lbs.
B61-3/4-1-1/4	5/8" x 1-3/4"	100	33 lbs.	B730-8	3/4" x 30"	10	390 lbs.
B62-1-1/2	5/8" x 2"	100	35 lbs.	B732-8	3/4" x 32"	10	424 lbs.
B63-1-1/2	5/8" x 3"	100	44 lbs.				
B64-1-1/2	5/8" x 4"	100	52 lbs.				
B65-1-1/2	5/8" x 5"	100	60 lbs.				
B66-1-1/2	5/8" x 6"	50	68 lbs.				
B67-3	5/8" x 7"	50	77 lbs.				
B68-4	5/8" x 8"	50	85 lbs.				
B610-4	5/8" x 10"	50	101 lbs.				
B612-6	5/8" x 12"	40	118 lbs.				
B614-6	5/8" x 14"	40	134 lbs.				
B616-6	5/8" x 16"	40	151 lbs.				
B618-6	5/8" x 18"	30	167 lbs.				
B620-6	5/8" x 20"	30	184 lbs.				

Note: Other lengths available.

Square Head Bolts



Stock No.	Item Description	Std. Pkg.	Weight 100 Pcs.	Stock No.	Item Description	Std. Pkg.	Weight 100 Pcs.
7/8" Square Head Bolts				1" Square Head (con't.)			
B82-F	7/8" x 2"	50	83 lbs.	B1020-6	1" x 20"	10	496 lbs.
B82-1/2-2	7/8" x 2-1/2"	50	91 lbs.	B1022-6	1" x 22"	10	538 lbs.
B83-2	7/8" x 3"	50	93 lbs.	B1024-6	1" x 24"	10	581 lbs.
B84-2	7/8" x 4"	50	115 lbs.	B1026-6	1" x 26"	10	624 lbs.
B85-2-1/2	7/8" x 5"	50	131 lbs.	B1028-8	1" x 28"	5	667 lbs.
B86-2-1/2	7/8" x 6"	40	147 lbs.	B1030-8	1" x 30"	5	710 lbs.
B88-3	7/8" x 8"	30	180 lbs.	1-1/4" Square Head Bolts*			
B810-6	7/8" x 10"	25	212 lbs.	B123-1/2-2	1-1/4" x 3-1/2"	20	259 lbs.
B812-6	7/8" x 12"	20	244 lbs.	B124-2	1-1/4" x 4"	20	275 lbs.
B814-6	7/8" x 14"	20	277 lbs.	B125-3	1-1/4" x 5"	20	308 lbs.
B816-6	7/8" x 16"	15	309 lbs.	B126-3	1-1/4" x 6"	20	341 lbs.
B818-6	7/8" x 18"	15	341 lbs.	B127-3	1-1/4" x 7"	15	374 lbs.
B820-6	7/8" x 20"	15	373 lbs.	B128-3	1-1/4" x 8"	10	407 lbs.
B822-6	7/8" x 22"	10	406 lbs.	B1210-4	1-1/4" x 10"	10	473 lbs.
B824-6	7/8" x 24"	10	438 lbs.	B1212-6	1-1/4" x 12"	10	539 lbs.
B826-8	7/8" x 26"	10	470 lbs.	B1214-6	1-1/4" x 14"	10	605 lbs.
B828-8	7/8" x 28"	10	503 lbs.	B1216-6	1-1/4" x 16"	5	671 lbs.
B830-8	7/8" x 30"	10	535 lbs.	B1218-6	1-1/4" x 18"	5	737 lbs.
B832-8	7/8" x 32"	10	570 lbs.	B1220-6	1-1/4" x 20"	5	803 lbs.
1" Square Head Bolts				B1222-6	1-1/4" x 22"	5	869 lbs.
B103-2	1" x 3"	40	137 lbs.	B1224-8	1-1/4" x 24"	5	935 lbs.
B103-1/2-2-1/2	1" x 3-1/2"	40	148 lbs.	B1226-8	1-1/4" x 26"	5	1000 lbs.
B104-2-3/4	1" x 4"	40	158 lbs.	*1-1/4" Bolts include hex nuts.			
B105-3	1" x 5"	30	179 lbs.	Note: Other lengths available.			
B106-2	1" x 6"	25	201 lbs.				
B108-4	1" x 8"	25	243 lbs.				
B1010-4	1" x 10"	20	285 lbs.				
B1012-6	1" x 12"	15	327 lbs.				
B1014-6	1" x 14"	15	369 lbs.				
B1016-6	1" x 16"	10	412 lbs.				
B1018-6	1" x 18"	10	454 lbs.				