

SUSPENSION ALUMINUM TRUNNION CLAMP

ALUMINUM
TSC

For standard voltage applications with all aluminum, AC-SR, or aluminum alloy conductor.

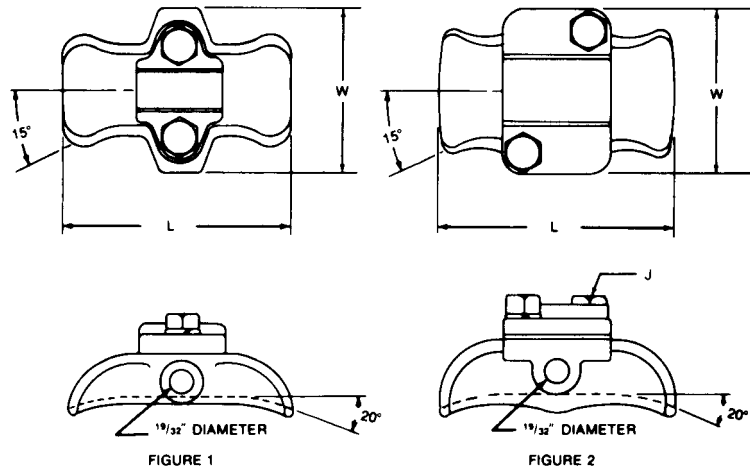
Designed for use on tangent suspension spans with horizontal or vertical post insulators.

Keeper is reversible for proper fit on different size conductors.

Material: Body and Keeper—356-T6 aluminum alloy
Hardware—Galvanized steel
Anti-static spring 302 stainless steel



TB



CATALOG NUMBER	FIG. NO.	CLAMPING RANGE INCHES (MM)	ULTIMATE BODY STRENGTH LBS. (KG)	DIMENSIONS INCHES (MM)			APPROX. WT. EACH LBS. (KG)
				L	W	J	
TSC-57	1	.25-.57 (6.3-14.4)	2,800 (1,270)	5-1/4 (133.3)	3-7/8 (98.4)	1/2 (12.7)	.42 (.19)
TSC-86	1	.35-.86 (8.8-21.8)	2,800 (1,270)	5-1/4 (133.3)	3-7/8 (98.4)	1/2 (12.7)	.45 (.20)
TSC--106	1	.50-1.06 (12.7-26.9)	2,800 (1,270)	5-1/4 (133.3)	3-7/8 (98.4)	1/2 (12.7)	.62 (.28)
TSC-150	1	1.00-1.50 (25.4-38.1)	2,800 (1,270)	5-1/4 (133.3)	3-7/8 (98.4)	1/2 (12.7)	.64 (.29)
TSC-200	2	1.50-2.00 (38.1-50.8)	2,800 (1,270)	5-1/4 (133.3)	3-7/8 (98.4)	1/2 (12.7)	.75 (.34)

NOTES: (1) Recommended torque on bolts; 1/2"–480 in. lbs.
(2) Anti-static spring can be supplied by adding "ARIV" to catalog number. Example, TSC-57-ARIV.

