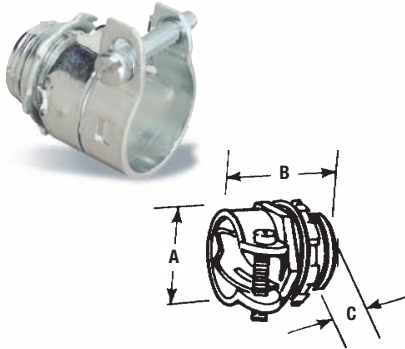


Metal Clad Cable, Armored Cable and Flexible Metal Conduit Fittings

Fits every size of armored cable, leaded cable and flexible conduit!



Squeeze Connectors



- Malleable iron or steel construction
- Catalog No. 253 is steel

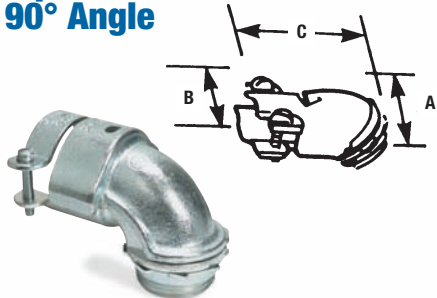
CAT. NO.	CABLE OPENING		TRADE SIZE	K.O. SIZE	DIMENSIONS (IN.)		
	MAX.	MIN.			A†	B	C
252***	.531	.437	5/16"	3/8"	13/16	25/32	11/32
253TB**	.585	.455	3/8"	1/2"	3/2	1 1/4	5/8
254-TB	.938	.812	1/2"	1/2"	1 1/2	1 1/8	13/32
255	1.094	.938	3/4"	3/4"	1 1/4	1 1/32	7/16
256	1.375	1.250	1"	1"	1 1/2	1 1/8	1/2
257***	1.656	1.500	1 1/4"	1 1/4"	1 1/2	1 3/32	17/32
258***	1.875	1.688	1 1/2"	1 1/2"	2 1/4	1 1/16	9/16
259***	2.500	2.313	2"	2"	2 3/2	2 1/8	1 1/16
249***	3.062	2.812	2 1/2"	2 1/2"	3 1/16	2 1/16	3/4
277***	3.563	3.312	3"	3"	3 1/16	2 1/8	3/4
278-TB	4.370	3.200	3 1/2"	3 1/2"	6 1/8	5 1/4	1 3/16
281-TB	4.600	3.500	4"	4"	7 1/4	5 3/4	1 1/8

** UL Listed for armored cable only. Fitting material steel. UL File No. E 23018
 *** UL Listed for flexible metal conduit only. CSA File No. 2884
 † Approximate dimension with screw at minimum height.

Only two screws to tighten!



Squeeze Connectors — 90° Angle



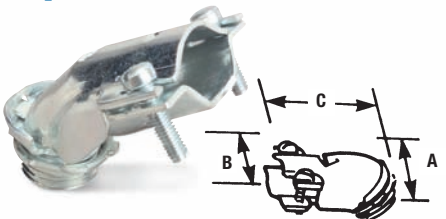
- Cap lifts off simply by loosening screws partway
- 3/8" and 1/2" sizes made of steel
- 3/4" and larger sizes made of malleable iron

CAT. NO.	CABLE OPENING		TRADE SIZE	K.O. SIZE	DIMENSIONS (IN.)		
	MAX.	MIN.			A	B	C
266-TB	.656	.406	3/8"	1/2"	1 1/2	1 1/32	1 1/16
272**	.812	.688	3/8"	1/2"	1 1/16	1 1/8	—
268-TB	.937	.813	1/2"	1/2"	1 1/16	1 1/16	1 1/8
279	1.000	.875	3/4"	3/4"	1 1/16	2 1/16	1 1/16
270	1.125	1.000	3/4"	3/4"	1 1/8	1 1/4	1 1/16
273TB	1.406	1.187	1"	1"	2 1/8	2 1/16	2 1/16
274***	1.656	1.375	1 1/4"	1 1/4"	3	3	3
275***	1.875	1.625	1 1/2"	1 1/2"	3 3/8	3 3/16	4
276***	2.500	2.125	2"	2"	4 1/2	3 3/16	4 1/8
282-TB	3.100	2.520	2 1/2"	2 1/2"	4 5/16	5 1/16	7 1/16
283-TB	3.640	3.100	3"	3"	5 1/16	6 1/16	8 1/16
284-TB	4.220	3.700	3 1/2"	3 1/2"	6 3/16	8 1/16	11 1/4
285-TB	4.600	4.100	4"	4"	7 1/4	8 1/8	12 1/8

** UL Listed for armored cable only. UL File No. E23018
 *** UL Listed for flexible metal conduit only. CSA File No. 2884

Fast and easy installation — simply loosen screws partway to lift off cap!

Squeeze Connectors — 45° Angle



- 3/8" and 1/2" sizes made of steel
- 3/4" and larger sizes made of malleable iron

CAT. NO.	CABLE OPENING		TRADE SIZE	K.O. SIZE	DIMENSIONS (IN.)		
	MAX.	MIN.			A	B	C
265	.656	.406	3/8"	1/2"	1 1/2	1 5/32	1 1/8
267	.937	.813	1/2"	1/2"	1 3/2	1 1/8	1 1/4
269	1.125	1.000	3/4"	3/4"	2	1 1/2	1 1/16

UL File No. E-23018
 CSA File No. 2884