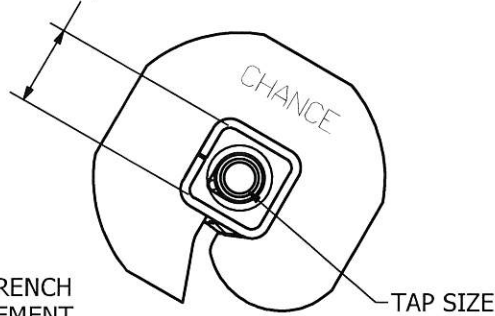


CAT. NO.	SIZE	TORQUE RATING (FT-LBS)	TAP SIZE	RATED TENSILE STRENGTH (LBS) (NOTE-2)	PROJECTED AREA (IN^2)
C102-5200	8"	10,000	1"	36,000	45
C102-5204	8"	8,000	1"	36,000	45
C102-5208	8"	8,000	5/8"	16,000	45
C102-5201	10"	10,000	1"	36,000	72
C102-5205	10"	8,000	1"	36,000	72
C102-5209	10"	8,000	5/8"	16,000	72
T102-5228	8" - SH ROCK SERIES	10,000	1"	36,000	45
T102-5228P	8" - SH ROCK SERIES	10,000	1"	36,000	45
T102-5229	10" - SH ROCK SERIES	10,000	1"	36,000	72
T102-5229P	10" - SH ROCK SERIES	10,000	1"	36,000	72
T102-5214	8" - METRIC SERIES	8,000	M24. 4X3.0 -6H FIT	36,000	45
T102-5215	10" - METRIC SERIES	10,000	M24. 4X3.0 -6H FIT	36,000	72
T102-5216	12" - METRIC SERIES	8,000	M24. 4X3.0 -6H FIT	36,000	104
T102-5217	14" - METRIC SERIES	8,000	M24. 4X3.0 -6H FIT	36,000	141
C102-5202	12"	10,000	1"	36,000	104
C102-5206	12"	8,000	1"	36,000	104
C102-5203	14"	10,000	1"	36,000	141
C102-5207	14"	8,000	1"	36,000	141
C102-5210	12"	8,000	5/8"	16,000	104
C102-5202P	12"	10,000	1"	36,000	104
C102-5203P	14"	10,000	1"	36,000	141

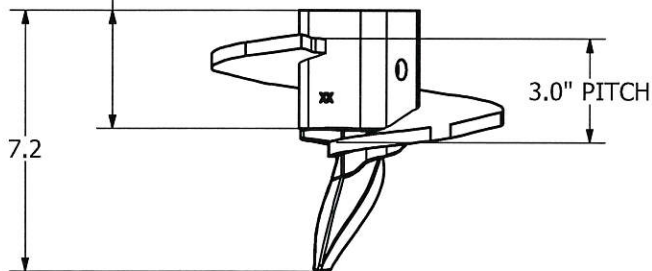
HUB SIZE
2-1/4"




-NOTES-

1. FINISH: BLACK PAINT.
2. RATED TENSILE STRENGTH IS BASED ON THE ROD USED.

3.25 WRENCH
ENGAGEMENT



CHANCE [®] <small>CONFIDENTIAL: THIS DRAWING AND ITS CONTENTS ARE CONFIDENTIAL AND THE EXCLUSIVE PROPERTY OF HUBBELL POWER SYSTEMS. NO PUBLICATION, DISTRIBUTION, OR COPIES MAY BE MADE WITHOUT THE WRITTEN CONSENT OF HUBBELL POWER SYSTEMS, HUBBELL POWER SYSTEMS UNPUBLISHED ALL RIGHTS RESERVED UNDER THE COPYRIGHT LAWS.</small>	 HUBBELL POWER SYSTEMS, INC.		
	TOUGH ONE 2-1/4 8,000 AND 10,000		
<small>SIZE</small> B	<small>CAT / PART / ASSY NO.</small> SEE CHART	<small>DWG NO.</small> SA102-5200	<small>REV</small> F
<small>DO NOT SCALE THIS DRAWING</small>	<small>DRN BY</small> WILSON	<small>DATE</small> 05/23/16	<small>SHEET</small> 1 OF 1