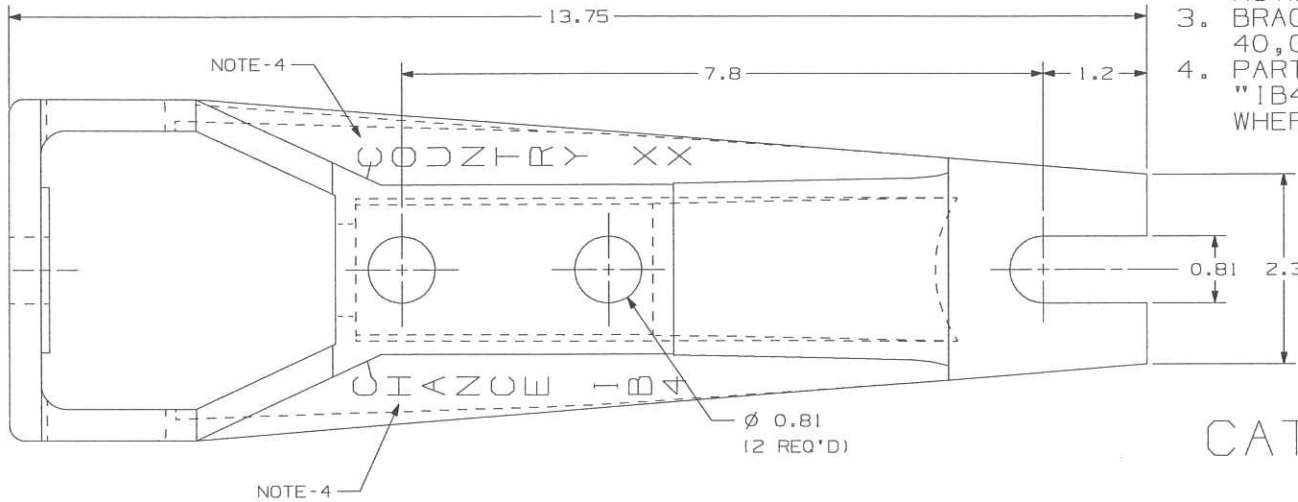
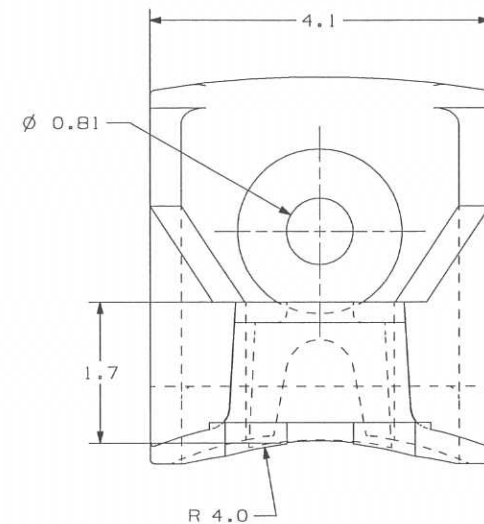
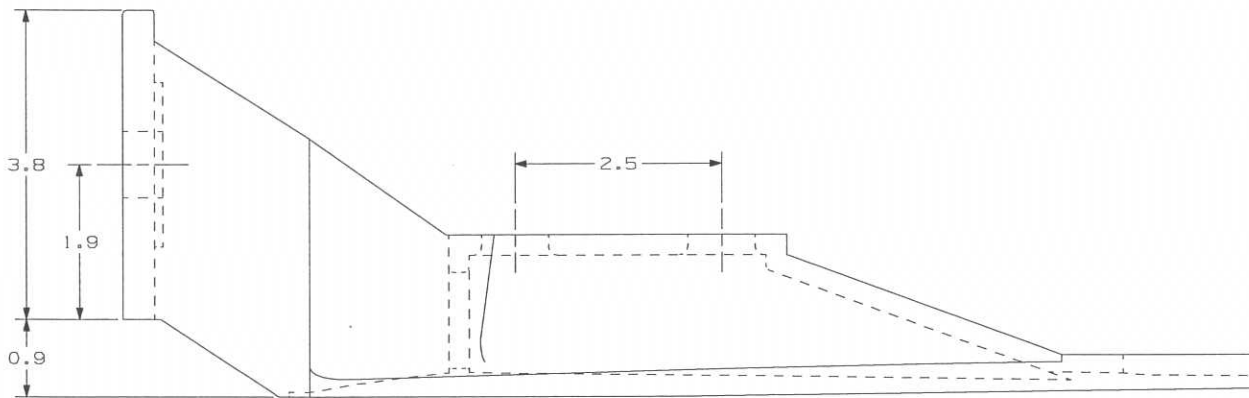


-NOTES-

1. MATERIAL: DUCTILE IRON GRADE 65-45-12 PER ASTM A536 (LATEST REVISION).
2. FINISH: HOT DIP GALVANIZE PER ASTM A153 (LATEST REVISION).
3. BRACKET CANTILEVER RATING: 40,000 IN*lbs.
4. PART IDENTIFIED WITH "CHANCE", "IB4", AND COUNTRY OF ORIGIN WHERE "XX" IS MANUFACTURER'S ID.



CATALOG NO. IB4



LATEST EC NO:	REV.	DATE	CHANGED BY	RESP ENGINEER
-----	-	-----	-----	-----
DRN BY: DATE WILSON 04/20/11				TITLE: POLE TOP BRKT
DO NOT SCALE THIS DWG				THIRD ANGLE PROJECTION 1:50 DUAL DIMENSIONS IN=INCH, MM=MILLIMETER
HUBBELL POWER SYSTEMS			CHANCE	DWG NO: SAIB4

CONFIDENTIAL: THIS DRAWING AND ITS CONTENTS ARE CONFIDENTIAL AND THE EXCLUSIVE PROPERTY OF HUBBELL POWER SYSTEMS. NO PART OF THIS DRAWING OR THE CONTENTS HEREOF MAY BE REPRODUCED OR TRANSMITTED IN ANY FORM OR BY ANY MEANS, ELECTRONIC OR MECHANICAL, INCLUDING PHOTOCOPYING, RECORDING, OR BY ANY INFORMATION STORAGE AND RETRIEVAL SYSTEM, WITHOUT THE WRITTEN CONSENT OF HUBBELL POWER SYSTEMS. © 2001 HUBBELL A.S. CHANCE. UNPUBLISHED - ALL RIGHTS RESERVED UNDER THE COPYRIGHT LAWS.