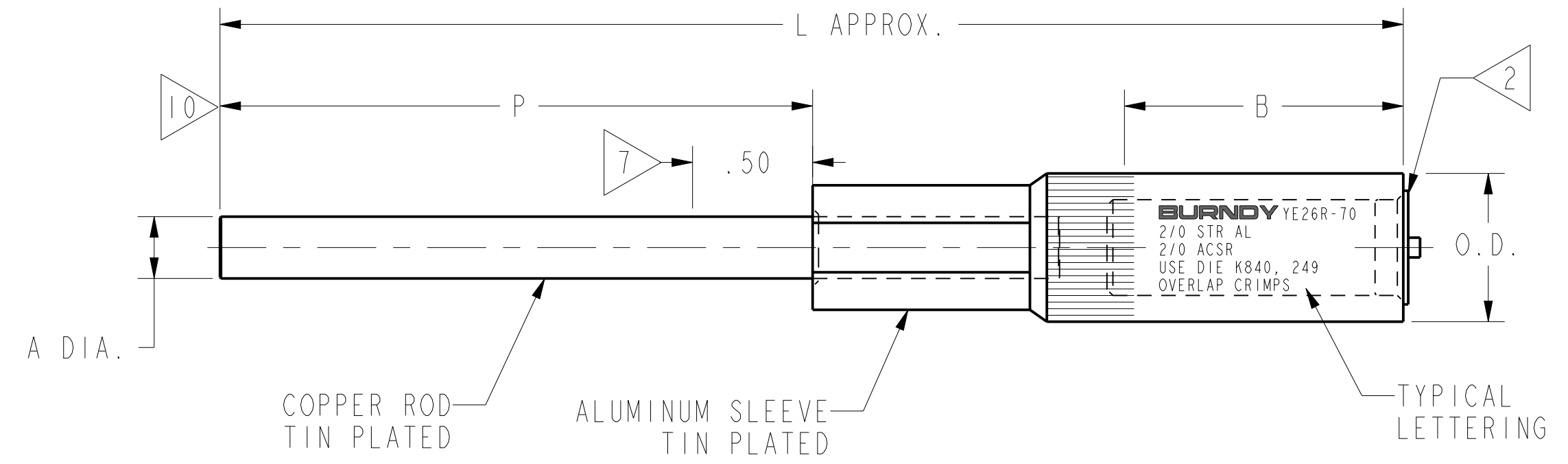


CATALOG NUMBER	ACCOMMODATES				A DIA.	B	L APPROX.	O.D.	P	TOOL INDEX NUMBER	INSTALLATION DATA					CAPLUG COLOR CODE			
	ALUMINUM		A.C.S.R.								HYTOOL™ & HYPRESS™ DIE SET OVERLAP CRIMPS								
	AWG.kcmil	STR	AWG.kcmil	STR							MD6	Y35, Y750, BAT35 BAT750 & PAT750	Y35/Y46	Y48BH	Y60BH				
YE6R25	#6 (.184)	7	#6 (.198)	6-1	.204	.91	4.62	.65	2.50	BG 5/8-1 243 8A	FIXED W-BG-5 W243	U-BG UK5/8-1T U243	U-BG UK5/8-1T U243	---	L243	BLUE			
YE6R40	#4 (.204)	1				6.12		4.00	C243										
YE4R25	#4 (.232)	7	#4 (.250)	6-1			4.62	2.50	---										
YE4R30	#2 (.258)	1	#4 (.257)	7-1			5.12	3.00	C243										
YE4R40	#2 (.258)	1	#4 (.257)	7-1			6.12	4.00	C243										
YE4R60	#3 (.260)	7			.204		8.12	6.00	---										
YE2R25	#1 (.328)	7	#2 (.316)	6-1	.250		4.62	2.50	C243										
YE2R40	#2 (.292)	7	#2 (.325)	7-1			6.12	4.00	---										
YE2R70	#2 (.292)	7	#2 (.325)	7-1			9.12	7.00	C243										
YE2RG6	#1 SOL (.289) #2 (.292) #1 (.325)	7 7 7	#2 (.325)	6-1 7-1		1.88	9.50	.91	5.50	840 249 11A	---	UK840T U249	UK840T U249	---		RED			
YE25R25							4.62		2.50	BG 5/8-1 243 8A	FIXED W-BG-5 W243	U-BG UK5/8-1T U243	U-BG UK5/8-1T U243	---	L243	YELLOW			
YE25R325	1/0 (.368)	7	1/0 (.398)	6-1		.91	5.38	3.25	C243										
YE25R40							6.12	4.00	---										
YE25R70					.250		9.12	7.00	C243										
YE26R25					.324	1.54	6.00	.91	2.50	840 249 11A	W-K840 W249	U-K840 U249	U-K840 U249	C249	L249	GRAY			
YE26R40	2/0 (.414)	7	2/0 (.447)	6-1			7.50	4.00	---										
YE26R60	2/0 (.419)	19					9.50	6.00	---										
YE26R70							10.50	7.00	---										
YE27R40							7.50	4.00	C249										
YE27R55	3/0 (.464)	7	3/0 (.502)	6-1			9.00	5.50	---										
YE27R60	3/0 (.470)	19					9.50	6.00	---										
YE27R70					.324		10.50	7.00	C249										
YE28R60							9.50	6.00	---										
YE28R30	4/0 (.522)	7	4/0 (.563)	6-1			6.50	3.00	---										
YE28R70	4/0 (.528)	19			.375		10.50	7.00	C249										
YE28R100							1.54	13.50	.91	10.00									
YE30R55	266.8 (.586)	7	266.8 (.642)	26-7	.460	2.15	10.16	1.25	5.50	317 705 1-1/8	---	U317 U705 UK1-1/8-1T	U317 U705 UK1-1/8-1T	C317 C705	L317	BLUE			
YE30R60	336.4 (.666)	19	266.8 (.608)	18-1			10.66	6.00	---										
YE32R40	350 (.679)	19	336.4 (.681)	26-7			8.50	4.00	---										
YE32R70	350 (.681)	37	336.4 (.721)	18-1			11.66	7.00	---										
YE32R100	397.5 (.724)	19	336.4 (.721)	18-1	.460		14.66	10.00	---										
YE32R100	400 (.728)	37							---										
YE361R70	477 (.793) 477 (.795) 500 (.811) 500 (.813) 500 (.815)	19 37 19 37 61	397.5 (.783) 397.5 (.806) 477 (.814)	26-7 30-7 18-1	.560		11.66	7.00	---										
YE361R120	500 (.813) 500 (.815)	37 61	477 (.814)	18-1	.560	2.15	16.66	1.25	12.00										



- NOTES:
- MATERIAL: AS NOTED.
 - CONNECTOR SUPPLIED PRE FILLED WITH PENETROX™ & SEALED. PENETROX™ IS COMPATIBLE WITH CABLE INSULATION.
 - CATALOG # PT6515 ADAPTOR IS REQUIRED TO USE "U" DIES IN Y45 SERIES TOOLS.
 - CATALOG # PUADP-1 ADAPTOR IS REQUIRED TO USE "U" DIES IN Y46 SERIES TOOLS.
 - MULTIPLE CRIMP DIE SET MAKES MORE THAN ONE CRIMP PER TOOL COMPRESSION.
 - SPACE CRIMPS.
 - PLUG MAY BE BENT FOR INSTALLATION CONVENIENCE. IT IS RECOMMENDED THAT BENDING TAKE PLACE BEYOND THIS POINT.
 - STANDARD O.D. HYPLUGS™ ONLY. (ALL DESIGNS)
 - PLUGS COLOR CODED TO CONDUCTOR SIZE.
 - SUFFIX NO. FOLLOWING LETTER "R" IN THE CATALOG NUMBER INDICATES THE EXPOSED LENGTH OF COPPER ROD EXTENDING FROM THE ALUMINUM BARREL. EG: YE25R60 INDICATES "P" = 6.00".

TO ORDER BURNDY® PRODUCTS CALL
 UNITED STATES
 1-800-346-4175 (LONDONDERRY, NH)
 CANADA:
 1-800-361-6975 (QUEBEC)
 1-800-387-6487 (ALL OTHER PROVINCES)
 FOR PRODUCT INFO: <http://www.burndy.com>

HYPLUG™ CONNECTOR-ALUMINUM

ITEM NO:	N/A
CAT. NO:	YE-R (TABLE)
DRAWN BY:	EWB 1/21/67
CHECKER:	MAP 1/23/68
DSN APPVL:	R.MACDONALD 2/03/94
MFG APPVL:	VIF 1/23/68
QA APPVL:	GHD 1/29/68
MKT APPVL:	D.HAMILTON 2/15/64
PROD FAM:	--
PROJECT #:	--
DOCUMENT TYPE:	Sales
REL LEVEL:	Released

SCALE: 2:1

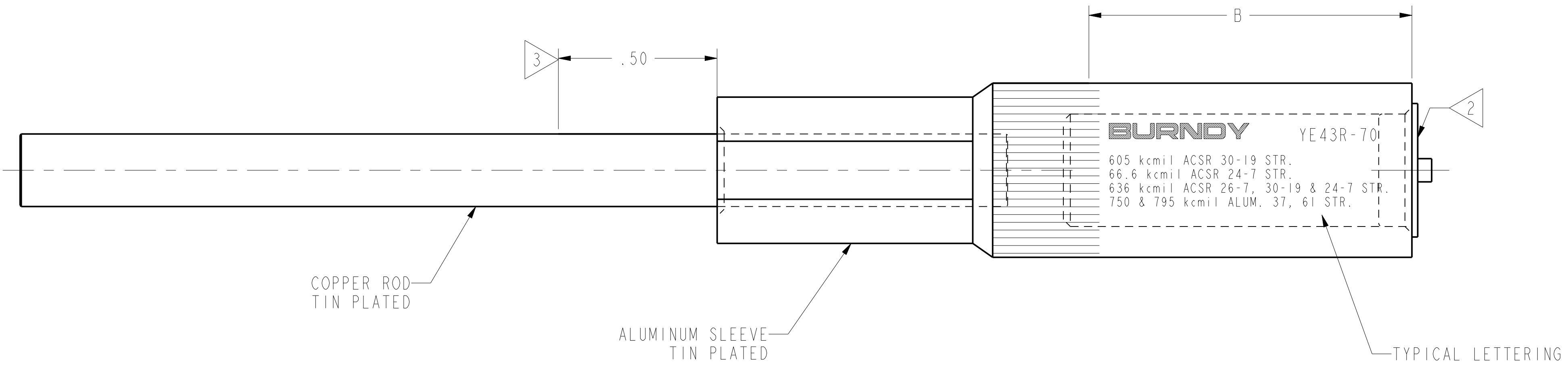
DRAWING NO: SE065168

SHEET 1 OF 2

REV: G

REV	DATE	DESCRIPTION	ECO	BY	CHK.
G	06/04/2014 00:00:00 AM	DRAWING RELEASED	36368	RK	MB

CATALOG. NUMBER	ACCOMMODATES.				A DIA.	B	L APPROX.	O.D.	P	TOOL INDEX NUMBER	INSTALLATION DATA					CAPLUG COLOR CODE
	ALUMINUM		A.C.S.R.								HYTOOL™ & HYPRESS™ DIE SET OVERLAP CRIMPS					
	AWG, kcmil	STR	AWG, kcmil	STR							MD6	Y35, Y750	Y45, Y46	Y48BH	Y60BH	
YE39R60	---	--	556-5 (.914) 556.5 (.927)	24-7 26-7	.625	2.56	11.98	1.50	6.00	6.08	-----	U608	U608	----	L608	YELLOW
YE43R70	795 (1.028)	37 61	605 (.994) 636 (.977)	30-19 24-7	.707	2.69	13.28	1.84	7.00	292	↑	↑	6 7 S292/P292	C292	L292	RED
YE43R100			636 (.990) 636 (1.019) 666.6 (1.000)	26-7 30-19 24-7												
YE48R70	---	--	900 (1.162) 954 (1.196)	54-7 45-7	.793	3.47	14.10	2.12	7.00	575	↑	↑	-----	C575	L575	BROWN
YE48R100			1033.5 (1.213)	17.10												



NOTES:

1. MATERIAL: AS NOTED.
2. CONNECTOR SUPPLIED PRE FILLED WITH PENETROX™ & SEALED. PENETROX™ IS COMPATIBLE WITH CABLE INSULATION.
3. PLUG MAY BE BENT FOR INSTALLATION CONVENIENCE. IT IS RECOMMENDED THAT BENDING TAKE PLACE BEYOND THIS POINT.
4. STANDARD O.D. HYPLUGS™ ONLY. (ALL DESIGNS)
5. PLUGS COLOR CODED TO CONDUCTOR SIZE.
6. USED IN Y45 SERIES TOOLS. #PT6515 ADAPTOR NOT REQUIRED.
7. USED IN Y46 SERIES TOOLS. #PUADP-1 ADAPTOR NOT REQUIRED.

TO ORDER BURNDY® PRODUCTS CALL		HYPLUG™ CONNECTOR-ALUMINUM	
UNITED STATES 1-800-346-4175 (LONDONDERRY, NH)		ITEM NO: N/A	SCALE: 2:1
CANADA: 1-800-361-6975 (QUEBEC) 1-800-387-6487 (ALL OTHER PROVINCES)		CAT. NO: YE-R (TABLE)	
FOR PRODUCT INFO: http://www.burndy.com		DRAWN BY: P.LAPONIUS 05/02/99	
		CHECKER: --	
		DSN APPVL: --	
		MFG APPVL: --	
		QA APPVL: --	
		MKT APPVL: --	
		PROD FAM: --	DRAWING NO
		PROJECT #: --	SE065168
		DOCUMENT TYPE: Sales	G
		REL LEVEL: Released	SHEET 2 OF 2

REV: PE0200